

Parts Manual

# MU720

Rear Discharge Mower

Europe €





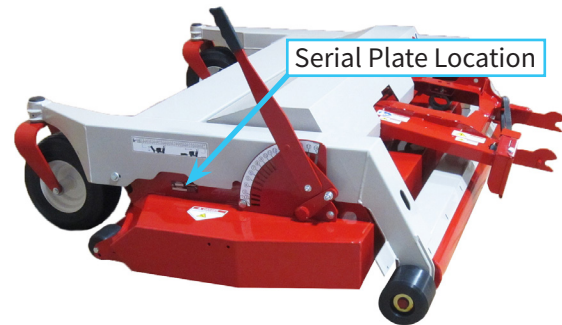
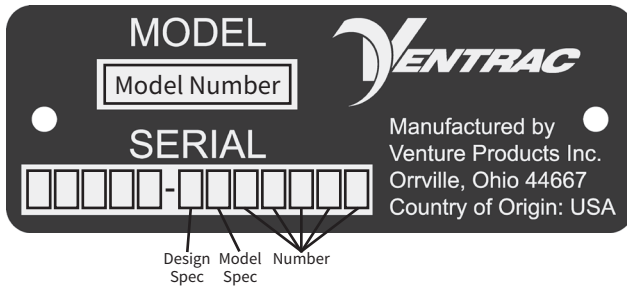
500 Venture Drive  
Orrville Oh 44667  
www.ventrac.com

[View all manuals](#)



Visit [ventrac.com/manuals](http://ventrac.com/manuals) for the latest version of this operator's manual. A downloadable parts manual is also available.

### Serial Number Description



### Notes

- If any component requires replacement, use only original Ventrac replacement parts.
- When ordering new components, be sure to order all required safety decals. All current safety decals must be affixed to the replacement components prior to installation of the component.

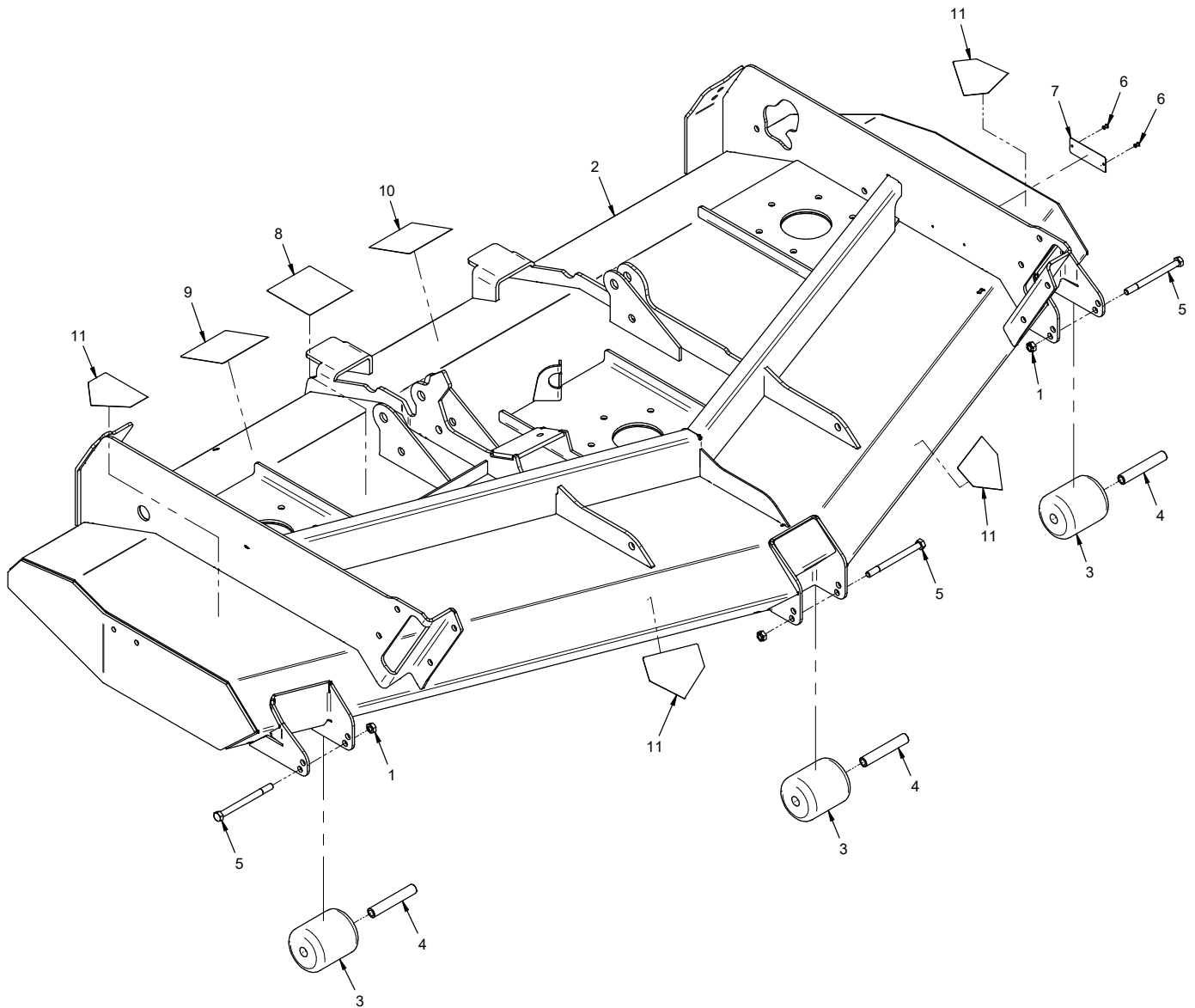
# TABLE OF CONTENTS

---

<b>PARTS</b>	<b>PAGE 4</b>
Main Frame & Front Anti-Scalp Rollers.....	4
Carrier Frame & Wheels .....	6
Hitch Arms .....	8
Drive Shaft & Attachment Belt.....	10
Main Deck Belt, Pulleys, & Belt Tensioner.....	12
Spindles & Blades.....	14
Mulch Rings .....	16
Rear Roller & Roller Wiper Belting.....	18
Discharge Shield Belting.....	20
Height Adjust Linkage & Deck Slides.....	22
Main Deck Cover Shield .....	24
70.8163 & 70.8214 Hydraulic Flip Up Kit .....	26

# PARTS

## ILLUSTRATED DRAWING Main Frame & Front Anti-Scalp Rollers



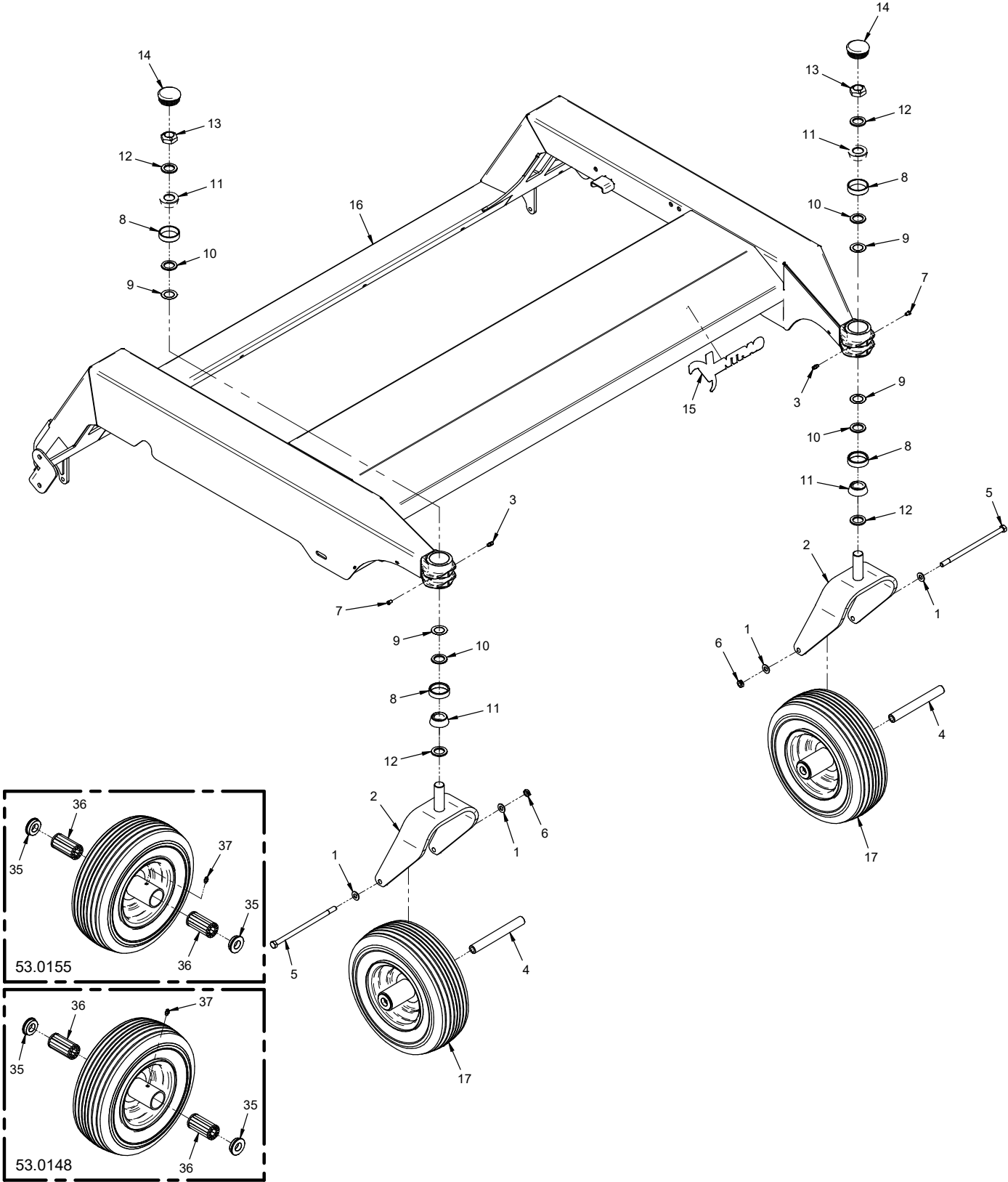
# PARTS

## Main Frame & Front Anti-Scalp Rollers

REF.	PART NO.	DESCRIPTION	QTY.
1	99.A06	Locknut, Stover 3/8-16 USS	3
2	62.1465	Frame, Deck Weldment MU720	1
3	50.0047	Roller, Front 3" Dia X 3-1/2"	3
4	50.0046	Tube, Axle Front Roller	3
5	90.0636	Bolt, 3/8-16 USS x 4-1/2	3
6	04.0003	Rivet, Pop 1/8 X 3/8 SS	2
7	N/A	Plate, Ventrac Serial Number	1
8	00.0062	Decal, Danger Shield Missing	1
9	00.0102	Decal, Danger - Pinching Hazard	1
10	00.0122	Decal, Thrown Object Hazard	1
11	00.0123	Decal, Keep Hands & Feet Clear	4

# PARTS

## ILLUSTRATED DRAWING Carrier Frame & Wheels



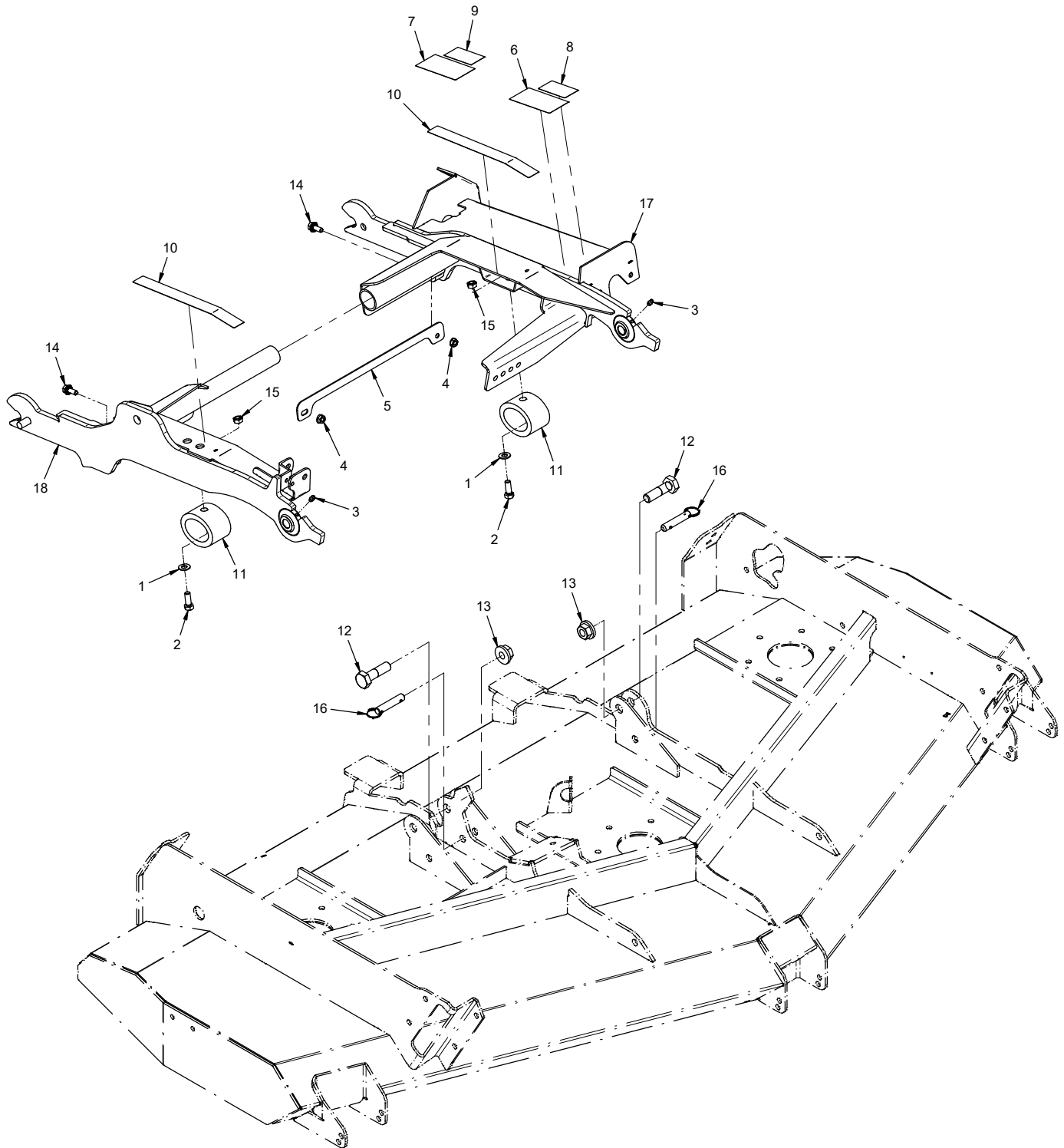
# PARTS

## Carrier Frame & Wheels

REF.	PART NO.	DESCRIPTION	QTY.
1	95.06	Washer, Flat 3/8 SAE	4
2	50.0195	Yoke, Caster 13" Wheel	2
3	29.GF0001	Grease Ftg, 1/4 SAE ST	2
4	50.0050	Tube, Swivel Axle	2
5	90.0660	Bolt, 3/8-16 USS x 7-1/2	2
6	99.A06C	Locknut, Center 3/8-16	2
7	29.GF0011	Grease Ftg, Plug 1/4-28	2
8	55.LM12710	Bearing, Cup	4
9	85.B0101	Bushing, .005 Spacer	4
10	85.B0099	Bushing, .875ID x 1.375OD x .120T	4
11	55.LM12749LA2	Bearing, Taper Roller Cone	4
12	99.B0119	Washer, Mach 7/8 x 1-3/8 x 10 GA	4
13	99.M0047	Locknut, Stover M22 X 1.5 ZP	2
14	05.0172	Plug, Ribbed Black LDPE	2
15	00.0383	Decal, Ventrac	1
16	70.8222	Kit, Carrier Frame & Discharge Belting (Serial # 01001-01484)	1
16	62.1464	Frame, Main Carrier MU720 (Serial # 01485-)	1
17	53.0155	Wheel, Asm 13 x 5 x 6 Caster	2
17	53.0148	Wheel, Asm 13x5x6 Rib Flatfree (Optional)	2
35	55.0072	Bearing, Retainer 3/4"	2
36	55.0088	Bearing, Roller Replacement	2
37	29.GF0001	Grease Ftg, 1/4 SAE ST	1

# PARTS

## ILLUSTRATED DRAWING Hitch Arms





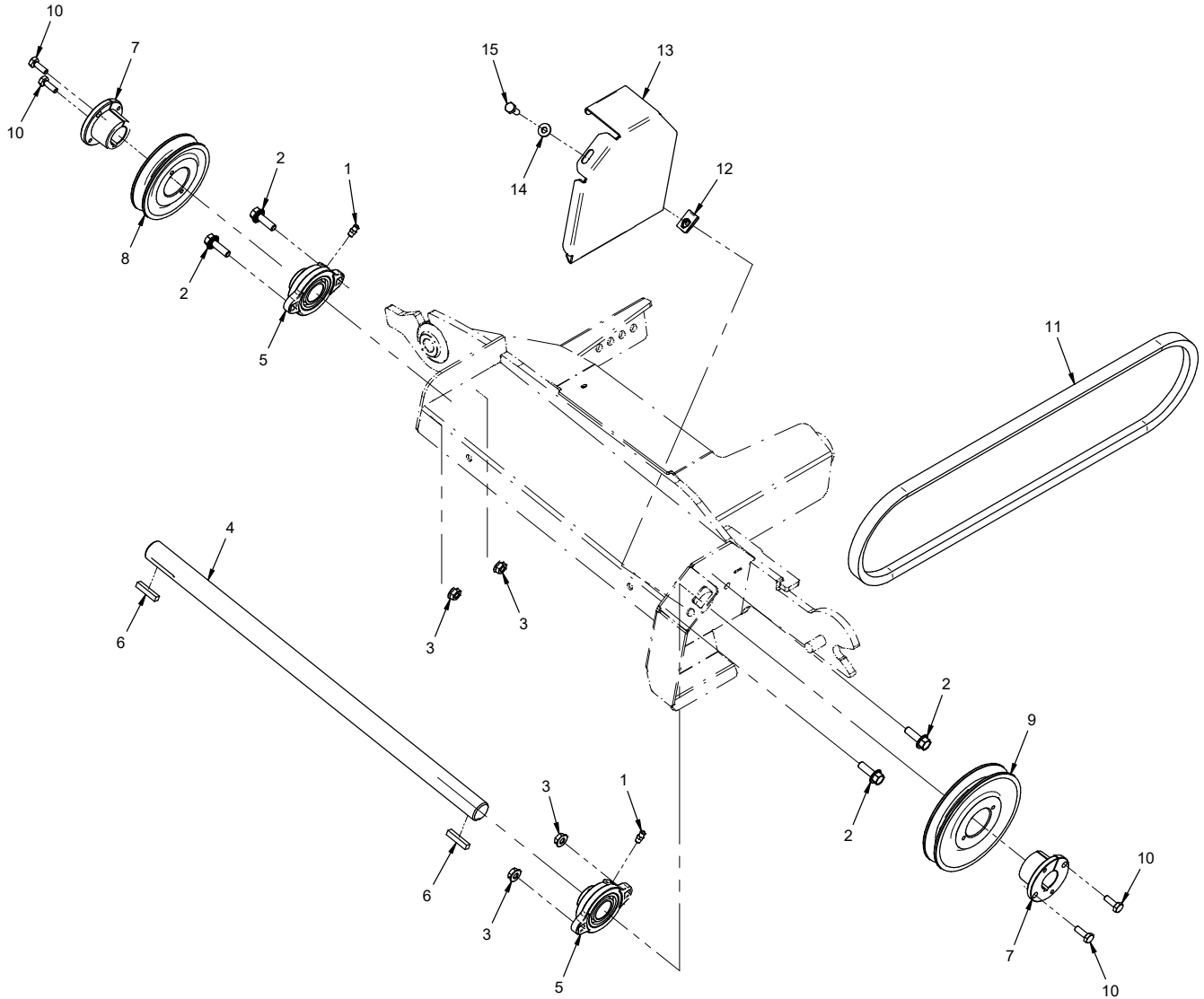
# PARTS

## Hitch Arms

REF.	PART NO.	DESCRIPTION	QTY.
1	95.06	Washer, Flat 3/8 SAE	2
2	90.0608	Bolt, 3/8-16 USS x 1	2
3	29.GF0001	Grease Ftg, 1/4 SAE ST	2
4	99.SF05	Nut, SRF 5/16-18 USS	2
5	64.1934	Brace, Hitch Arm Spacing	1
6	00.0217	Decal, Warning Read Owners Man	1
7	00.0220	Decal, General Safety	1
8	00.0219	Decal, Warning Do Not Reach	1
9	00.0216	Decal, Warning Moving Parts	1
10	00.0427	Decal, Wear Resistant	2
11	05.0169	Bumper, Elastomer 1300 LBS PF	2
12	99.K0111	Bolt, 5/8-11 X 2-1/4 Grd A325	2
13	99.E0094	Locknut, 5/8-11 Flanged Stover	2
14	99.SF0506	Bolt, SRF 5/16-18 USS X 3/4	2
15	99.A06	Locknut, Stover 3/8-16 USS	2
16	03.0007	Pin, Ball 1/2 x 1.8"	2
17	62.1452	Hitch, Arm Left MS720	1
18	62.1453	Hitch, Arm Right MS720	1

# PARTS

## ILLUSTRATED DRAWING Drive Shaft & Attachment Belt



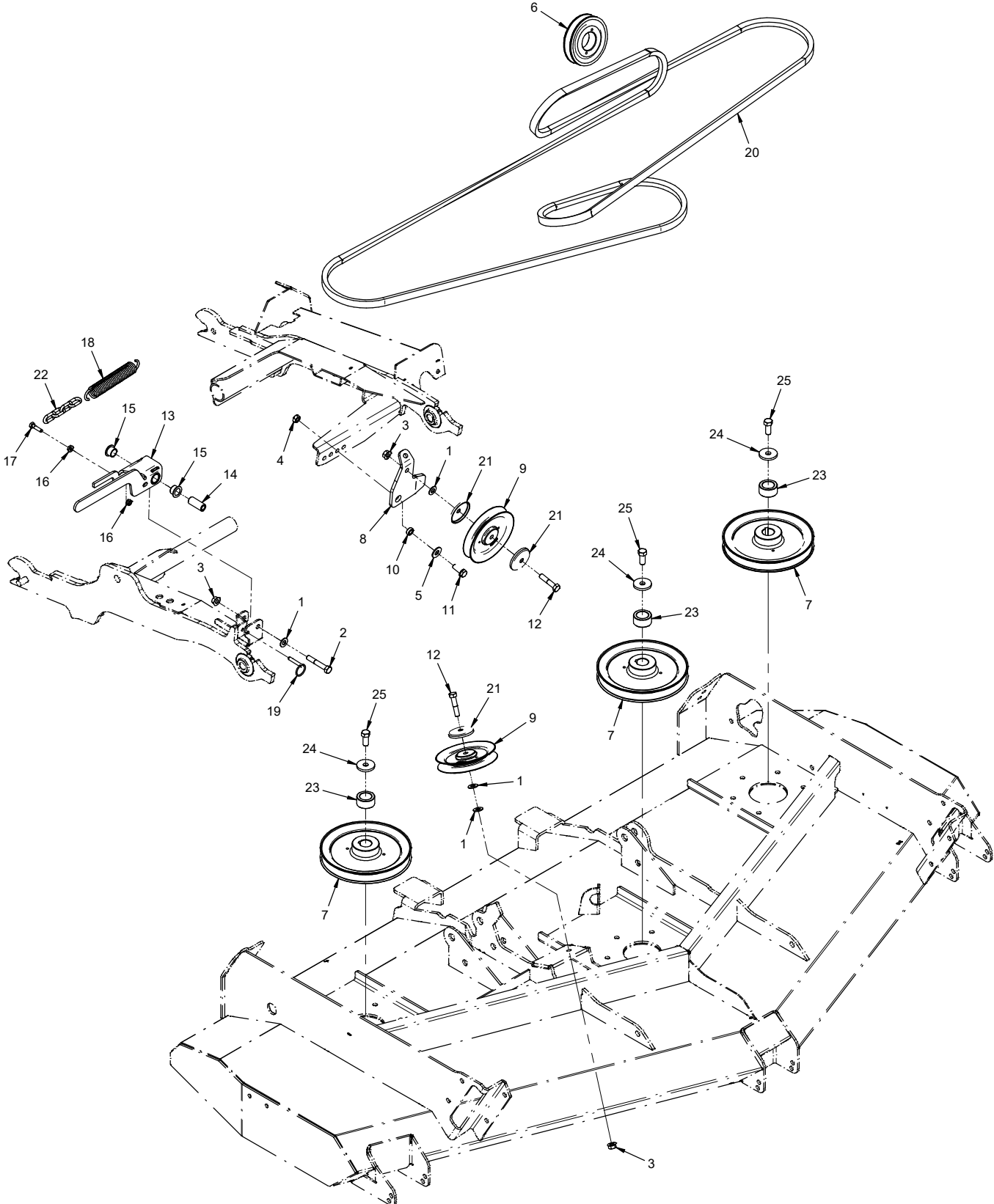
# PARTS

## Drive Shaft & Attachment Belt

REF.	PART NO.	DESCRIPTION	QTY.
1	29.GF0001	Grease Ftg, 1/4 SAE ST	2
2	99.SF0508	Bolt, SRF 5/16-18 USS X 1	4
3	99.SF05	Nut, SRF 5/16-18 USS	4
4	80.0389	Shaft, Hitch Arm	1
5	55.FB16016-1	Bearing, Flange Block 1"	2
6	85.K0410	Key, 1/4 X 1-1/4	2
7	83.H16S	Bushing, 1" Split 1/4" Key	2
8	83.BK40H	Pulley, 4" H-Bush	1
9	83.BK57H	Pulley, 5.7" H-Bush	1
10	90.0406	Bolt, 1/4-20 USS x 3/4"	4
11	81.B045	Belt, B45	1
12	99.E0046	Nut, "U" 1/4-20 Extruded	1
13	60.0665	Shield, Drive Pulley	1
14	95.04	Washer, Flat 1/4 SAE	1
15	90.0406	Bolt, 1/4-20 USS x 3/4"	1

# PARTS

## ILLUSTRATED DRAWING Main Deck Belt, Pulleys, & Belt Tensioner



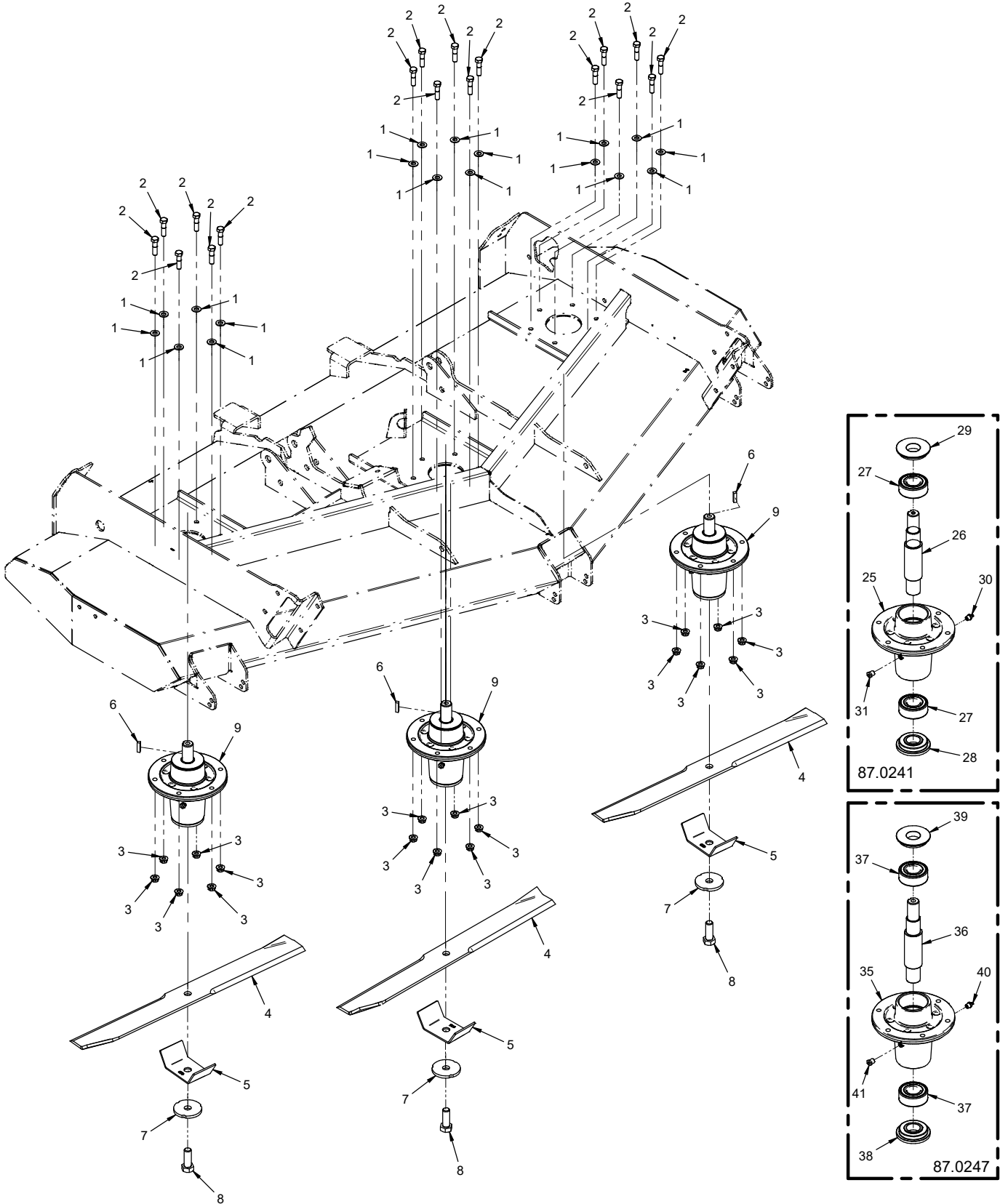
# PARTS

## Main Deck Belt, Pulleys, & Belt Tensioner

REF.	PART NO.	DESCRIPTION	QTY.
1	95.06	Washer, Flat 3/8 SAE	4
2	90.0618	Bolt, 3/8-16 USS x 2-1/4	1
3	99.SF06	Nut, SRF 3/8-16 USS	3
4	99.A06	Locknut, Stover 3/8-16 USS	1
5	94.06	Washer, Flat 3/8 USS	1
6	83.BK40H	Pulley, 4" H-Bush	1
7	83.0065	Pulley, 7-1/2, 25MM STR Bore	3
8	40.0399	Idler Arm, Belt Tension	1
9	83.0031	Pulley, V-Idler 5-1/16 x 3/8ID	2
10	64.0602	Bushing, 3/8 x 5/8 x .265	1
11	99.SF0608	Bolt, SRF 3/8-16 USS x 1	1
12	90.0614	Bolt, 3/8-16 USS x 1-3/4	2
13	70.8218	Kit, Belt Tension/Cylinder Lock (2 parts)	1
14	64.1936	Bushing, Belt Tension Pivot	1
15	85.B0088	Bushing, 5/8 ID X 3/4 OD X 1/2	2
16	99.SF04	Nut, SRF 1/4-20 USS	2
17	90.0408	Bolt, 1/4-20 USS x 1"	1
18	41.0048	Spring, Ext. 1 OD X 6	1
19	03.0022	Pin, Ball 1/4" x 1"	1
20	81.0162	Belt, B180 Custom	1
21	60.1056	Cover, Pulley	3
22	81.0160	Chain, 1/8 Plated x 4 Links	1
23	64.1976	Bushing, 1ID X 1.5OD X .750L	3
24	99.B0128	Washer, .323 ID x 1.50 OD (Serial # 01001-01244)	3
24	99.B0134	Washer, .448 ID x 1.50 OD (Serial # 01245-)	3
25	99.SF0508-8	Bolt, SRF 5/16-18 X 1 GR8 (Serial # 01001-01244)	3
25	91.0708-8	Bolt, 7/16-20 x 1 Gr8 (Serial # 01245-)	3

# PARTS

## ILLUSTRATED DRAWING Spindles & Blades



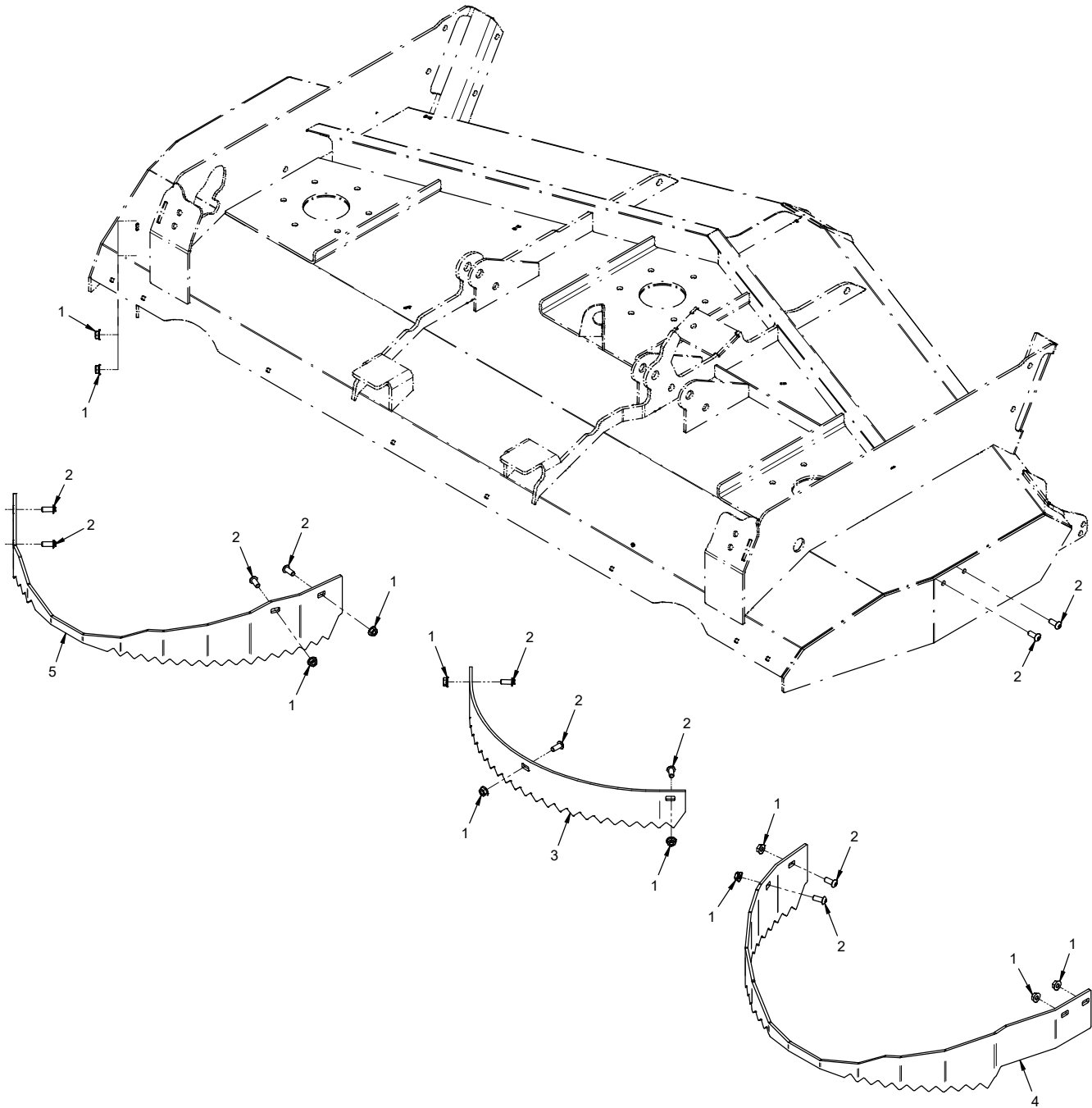
# PARTS

## Spindles & Blades

REF.	PART NO.	DESCRIPTION	QTY.
1	95.06	Washer, Flat 3/8 SAE	18
2	90.0612	Bolt, 3/8-16 USS x 1-1/2	18
3	99.E0082	Nut, Locking Flange 3/8-16	18
4	79.0104	Blade, 25X5/8 RH S Lowlift	3
5	64.2003	Guard, Spindle/Anti-String	3
6	85.K0408	Key, 1/4 X 1	3
7	99.B0097	Washer, .635 ID X 2-1/2 OD 1/4	3
8	91.1014	Bolt, 5/8-18 SAE x 1-3/4	3
9	87.0241	Spindle, Asm HD RH (Serial # 01001-01244)	3
9	87.0247	Spindle, Asm HD AL RH (Serial # 01245-)	3
25	87.0241-1	Housing, Spindle AL	1
26	87.0241-2	Shaft, Spindle RH	1
27	55.0095	Bearing, Ball 30MM x 62MM	2
28	87.0224-3	Shield, Spindle Bottom	1
29	87.0225-3	Shield, Spindle Top	1
30	29.GF0004	Grease Ftg, 1/8 NPT St	1
31	29.GF0017	Fitting, Relief	1
35	87.0241-1	Housing, Spindle AL	1
36	87.0247-2	Shaft, Spindle RH	1
37	55.0095	Bearing, Ball 30MM x 62MM	2
38	87.0224-3	Shield, Spindle Bottom	1
39	87.0225-3	Shield, Spindle Top	1
40	29.GF0004	Grease Ftg, 1/8 NPT St	1
41	29.GF0017	Fitting, Relief	1

# PARTS

## ILLUSTRATED DRAWING Mulch Rings





# PARTS

## Mulch Rings

REF.	PART NO.	DESCRIPTION	QTY.
1	99.SF05	Nut, SRF 5/16-18 USS	11
2	99.0506	Bolt, 5/16-18 x 3/4 BSCS	11
3	64.1992	Ring, Mulching Baffle Center	1
4	64.1993	Ring, Mulching Baffle Right	1
5	64.1994	Ring, Mulching Baffle Left	1



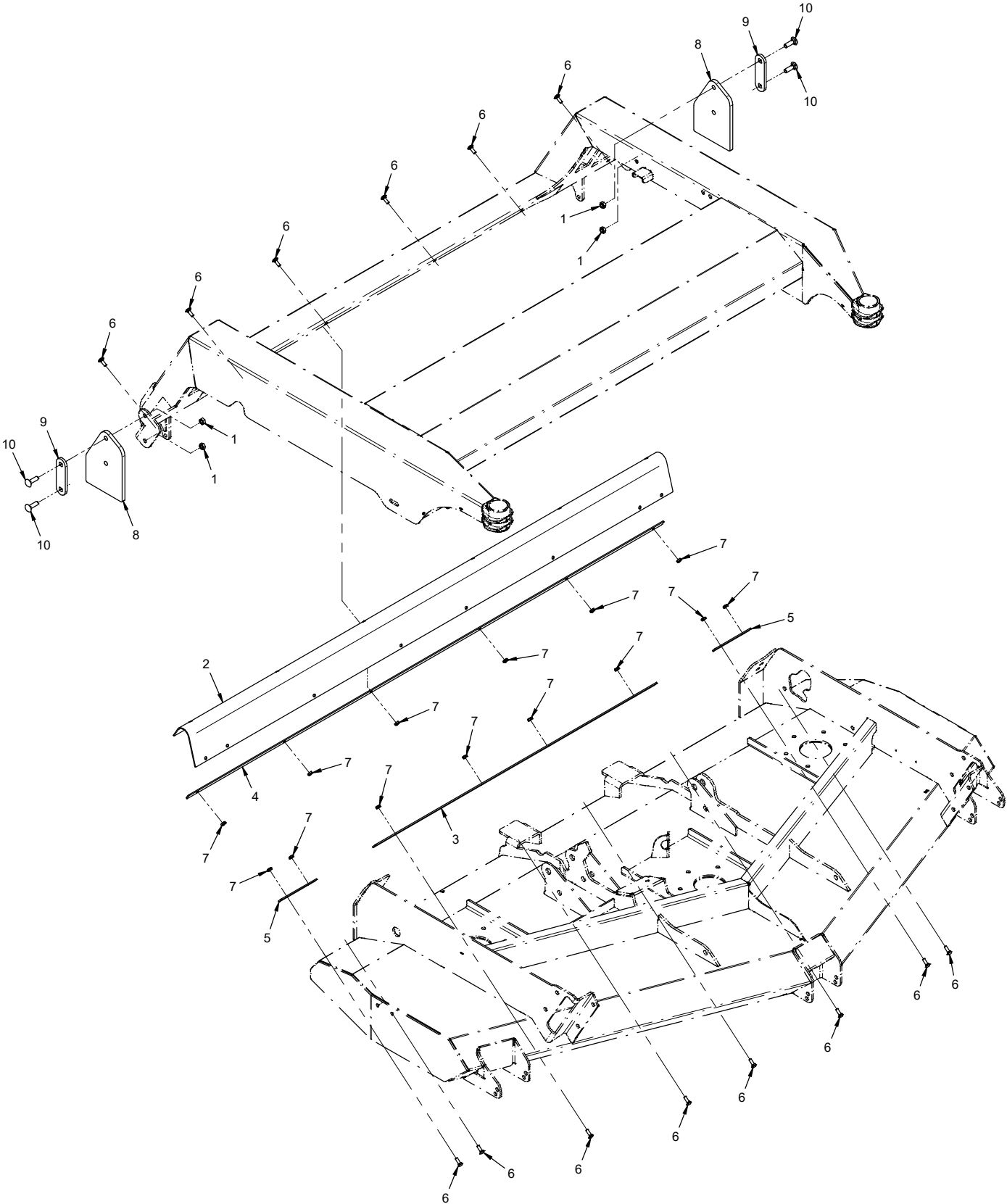
# PARTS

## Rear Roller & Roller Wiper Belting

REF.	PART NO.	DESCRIPTION	QTY.
1	29.GF0001	Grease Ftg, 1/4 SAE ST	2
2	55.FB16016-2	Bearing, 2 Bolt Flange 1"	2
3	50.0194	Roller, End 5" Dia x 4" Long	2
4	64.1930	Spacer, Rear Roller End	4
5	95.16	Washer, Flat 1 SAE	4
6	04.0025	Snap Ring, Ext.1 Shft .078 Thk	2
7	99.SF0508	Bolt, SRF 5/16-18 USS X 1	4
8	99.SF05	Nut, SRF 5/16-18 USS	4
9	80.0388	Roller, Rear MS720	1
10	44.0361	Belting, Roller Wiper	1
11	64.1871	Clamp, Roller Wiper	1
12	99.A04	Locknut, Stover 1/4-20 USS	7
13	97.0406	Bolt, Carriage 1/4-20 X 3/4	7

# PARTS

## ILLUSTRATED DRAWING Discharge Shield Belting



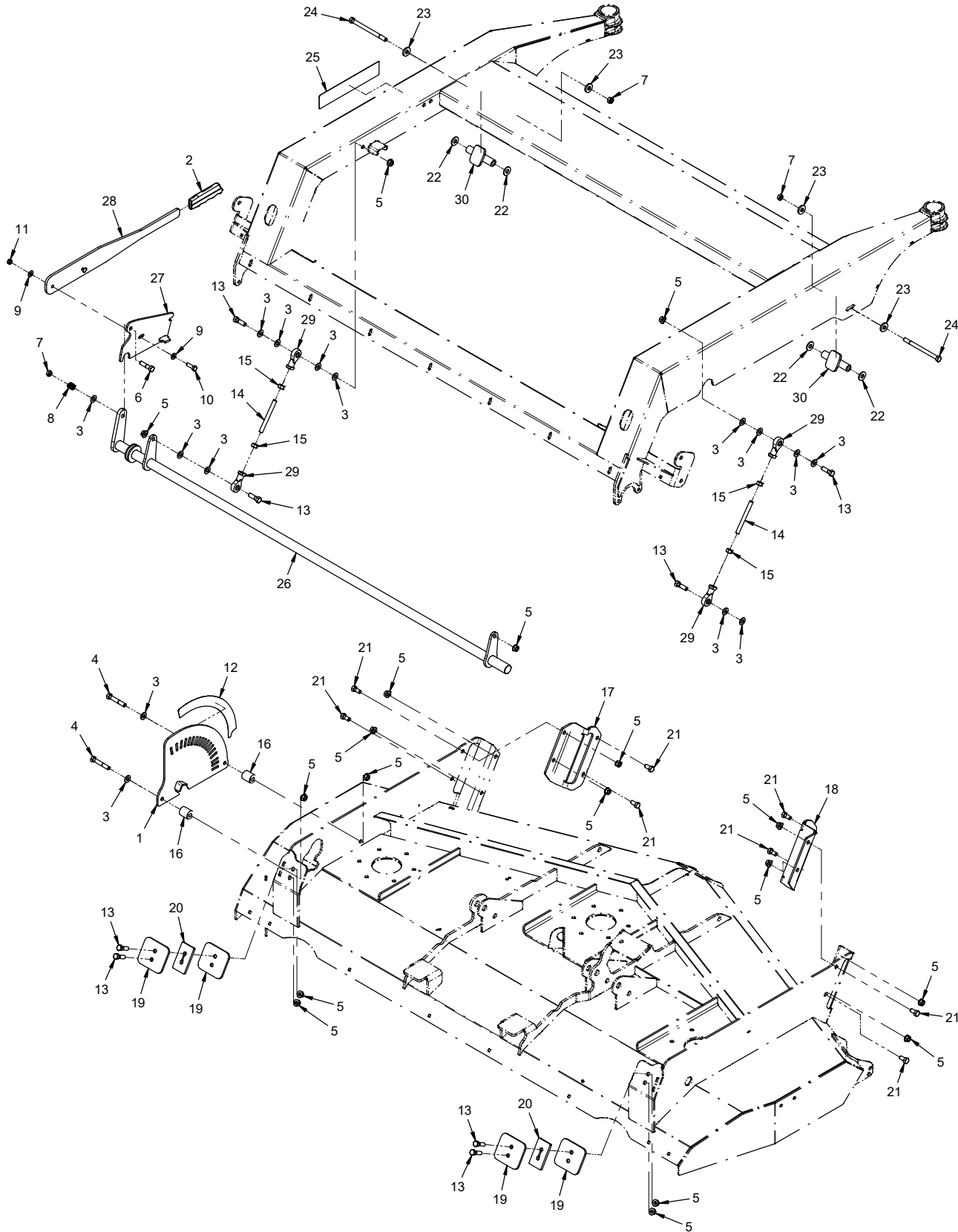
# PARTS

## Discharge Shield Belting

REF.	PART NO.	DESCRIPTION	QTY.
1	99.A06	Locknut, Stover 3/8-16 USS	4
2	44.0385	Belting, Discharge Shield (Serial # 01001-01484)	1
2	44.0414	Belting, Discharge Shield (Serial # 01485-)	1
3	64.1967	Clamp, Center Rear Discharge	1
4	64.1983	Clamp, Rear Discharge Belting	1
5	64.1968	Clamp, End Rear Discharge	2
6	97.0406	Bolt, Carriage 1/4-20 X 3/4	14
7	99.A04	Locknut, Stover 1/4-20 USS	14
8	44.0388	Belting, Side Guard	2
9	64.1986	Clamp, Side Guard	2
10	97.0610	Bolt, Carriage 3/8-16 x 1-1/4	4

# PARTS

## ILLUSTRATED DRAWING Height Adjust Linkage & Deck Slides



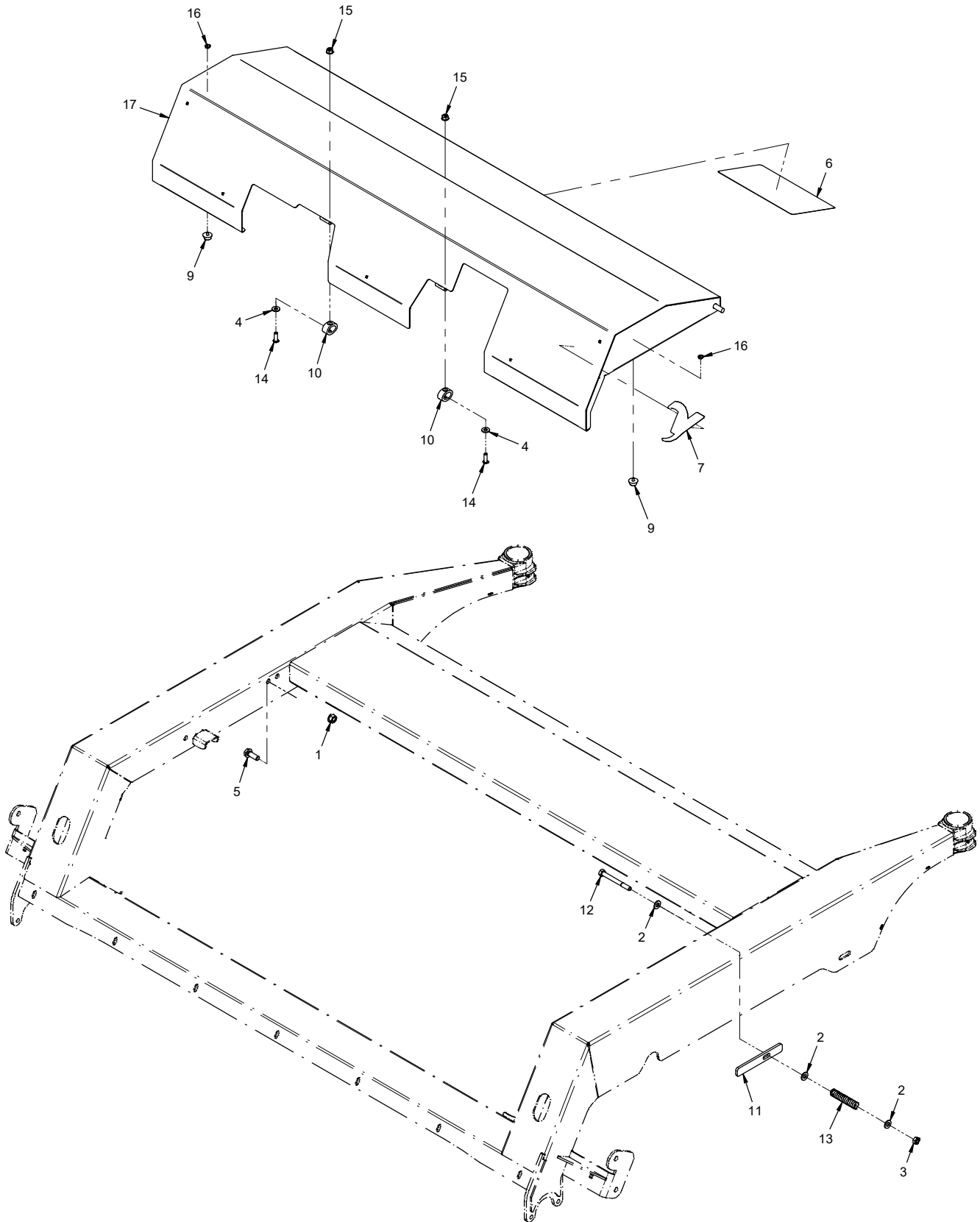
# PARTS

## Height Adjust Linkage & Deck Slides

REF.	PART NO.	DESCRIPTION	QTY.
1	64.1961	Plate, Height Adjust Selector	1
2	47.0086	Grip, Slip-On Handle - Black	1
3	95.06	Washer, Flat 3/8 SAE	15
4	90.0618	Bolt, 3/8-16 USS x 2-1/4	2
5	99.SF06	Nut, SRF 3/8-16 USS	18
6	90.0612	Bolt, 3/8-16 USS x 1-1/2 (Serial # 01001-01100)	1
6	90.0616	Bolt, 3/8-16 USS x 2 (Serial # 01101-)	1
7	99.A06	Locknut, Stover 3/8-16 USS	3
8	41.0039	Spring, Comp. 9/16 OD X 5/8 (Serial # 01001-01100)	1
8	41.0119	Spring, Comp .785 OD x 1 Lg (Serial # 01101-)	1
9	95.05	Washer, Flat 5/16 SAE	2
10	90.0508	Bolt, 5/16-18 USS x 1"	1
11	99.A05	Locknut, Stover 5/16-18 USS	1
12	00.0425	Decal, Cut Height Position	1
13	90.0610	Bolt, 3/8-16 USS x 1-1/4	8
14	99.J0630NFZ	Rod, Threaded 3/8-24 x 3-3/4L	2
15	93.06	Nut, 3/8-24 SAE	4
16	64.0905	Tube, RD 7/16 X 1 X 1-1/4L	2
17	64.1904	Bracket, Front Slide Left	1
18	64.1905	Bracket, Front Slide Right	1
19	64.1179	Plate, Rear Slide Retainer	4
20	64.1181	Spacer, Rear Slide	2
21	90.0606	Bolt, 3/8-16 USS x 3/4	8
22	94.06	Washer, Flat 3/8 USS	4
23	99.G0014	Washer, 3/8 USS FW .165 Thk	4
24	90.0640	Bolt, 3/8-16 USS x 5	2
25	00.0426	Decal, Cut Height Position Key	1
26	42.0579	Shaft, Ht Adj Crossbar MS720	1
27	64.1910	Bracket, Height Adjuster	1
28	64.1911	Lever, Height Adjuster	1
29	43.006	Rod End, 3/8 Spherical	4
30	64.1180	Tube, Front Slide	2

# PARTS

## ILLUSTRATED DRAWING Main Deck Cover Shield





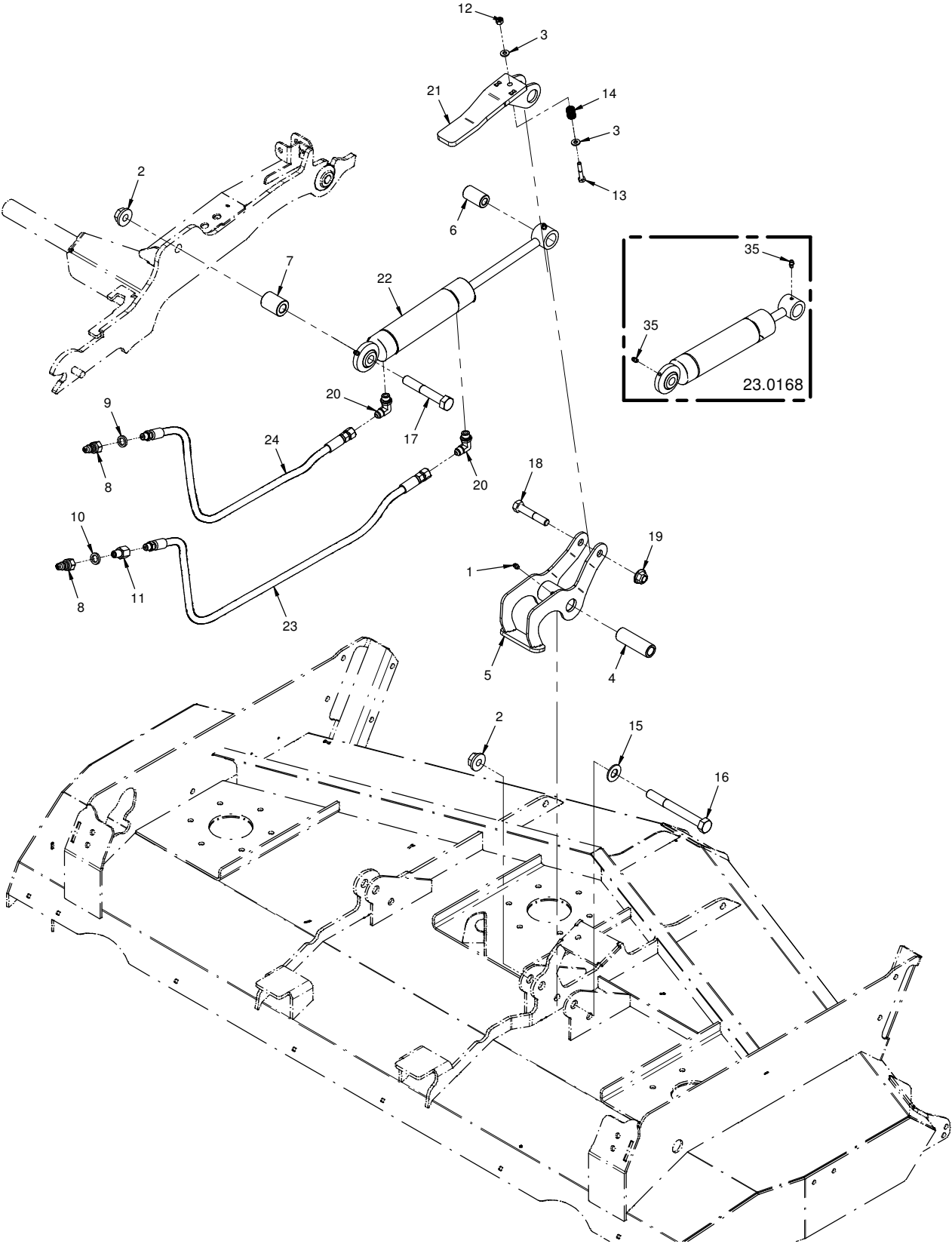
# PARTS

## Main Deck Cover Shield

REF.	PART NO.	DESCRIPTION	QTY.
1	99.SF06	Nut, SRF 3/8-16 USS	1
2	95.05	Washer, Flat 5/16 SAE	3
3	99.A05	Locknut, Stover 5/16-18 USS	1
4	95.04	Washer, Flat 1/4 SAE	2
5	99.SF0608	Bolt, SRF 3/8-16 USS x 1	1
6	00.0428	Decal, Mower Maintenance	1
7	00.0192	Decal, V-Decal Die Cut Blue	1
9	05.0171	Bumper, Neoprene 60 Duro	2
10	05.0170	Bumper, Elastomer 125 Lbs PF	2
11	64.0682	Bracket, Shield Spring	1
12	90.0524	Bolt, 5/16-18 USS x 3"	1
13	41.0021	Spring, Comp 1/2 OD X 2-3/4 LG	1
14	99.0406	Bolt, 1/4-20 x 3/4 BSCS	2
15	99.E0101	Nut, Locking Flange 1/4-20	2
16	99.E0104	Nut, Jam #8-32 Nylon Lock	2
17	60.1268	Shield, Main Deck Cover MS720	1

# PARTS

## ILLUSTRATED DRAWING 70.8163 & 70.8214 Hydraulic Flip Up Kit



# PARTS

## 70.8163 & 70.8214 Hydraulic Flip Up Kit

REF.	PART NO.	DESCRIPTION	QTY.
1	29.GF0001	Grease Ftg, 1/4 SAE ST	1
2	99.E0094	Locknut, 5/8-11 Flanged Stover	2
3	95.04	Washer, Flat 1/4 SAE	2
4	64.1975	Bushing, .641 x 1.00 x 3.094L	1
5	64.1972	Bracket, Flip Up Rocker	1
6	64.1973	Bushing, .516ID X 1 OD X 1.75 L	1
7	64.1974	Bushing, .656 x 1.25 x 1.625L	1
8	23.0104	Coupler, Quick Male 1/4	2
9	05.0117	Washer, .544 ID x .817 x .14 Yel	1
10	05.0116	Washer, .544 ID x .817 x .14 Red	1
11	29.0092	Fitting, .025 Orifice 1/4 Pipe	1
12	99.A04N	Locknut, Nylon 1/4-20	1
13	90.0412	Bolt, 1/4-20 USS x 1-1/2	1
14	41.0108	Spring, Comp. .531 OD X .780 LG	1
15	95.10	Washer, Flat 5/8 SAE	1
16	90.1044	Bolt, 5/8-11 USS x 5-1/2	1
17	90.1032	Bolt, 5/8-11 USS x 4	1
18	90.0822	Bolt, 1/2-13 USS x 2-3/4	1
19	99.E0103	Nut, Locking Flange 1/2-13	1
20	25.6801-06-06	Fitting, 90 ME 3/8 x 3/8	2
21	70.8218	Kit, Belt Tensioner/Cylinder Lock (2 parts)	1
22	23.0168	Cylinder, 1-3/4" X 5-1/4"	1
23	20.0169	Hose, 1/4x38.00 SAE 100R17 AR	1
24	20.0166	Hose, 1/4x35.00 SAE 100R17 AR	1
35	29.GF0001	Grease Ftg, 1/4 SAE ST	2