

Parts Manual

MU720

Rear Discharge Mower





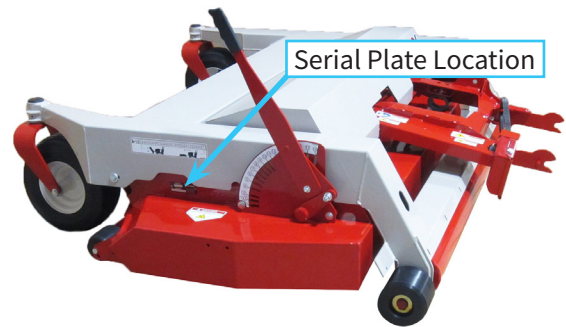
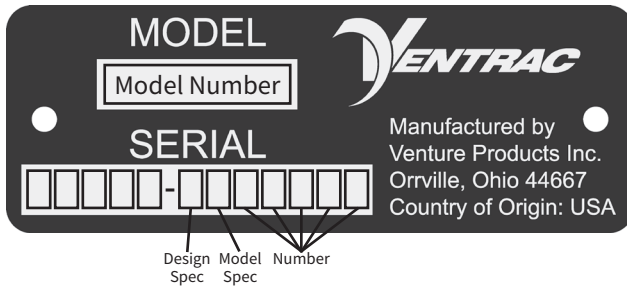
500 Venture Drive
Orrville Oh 44667
www.ventrac.com

[View all manuals](#)



Visit ventrac.com/manuals for the latest version of this operator's manual. A downloadable parts manual is also available.

Serial Number Description



Notes

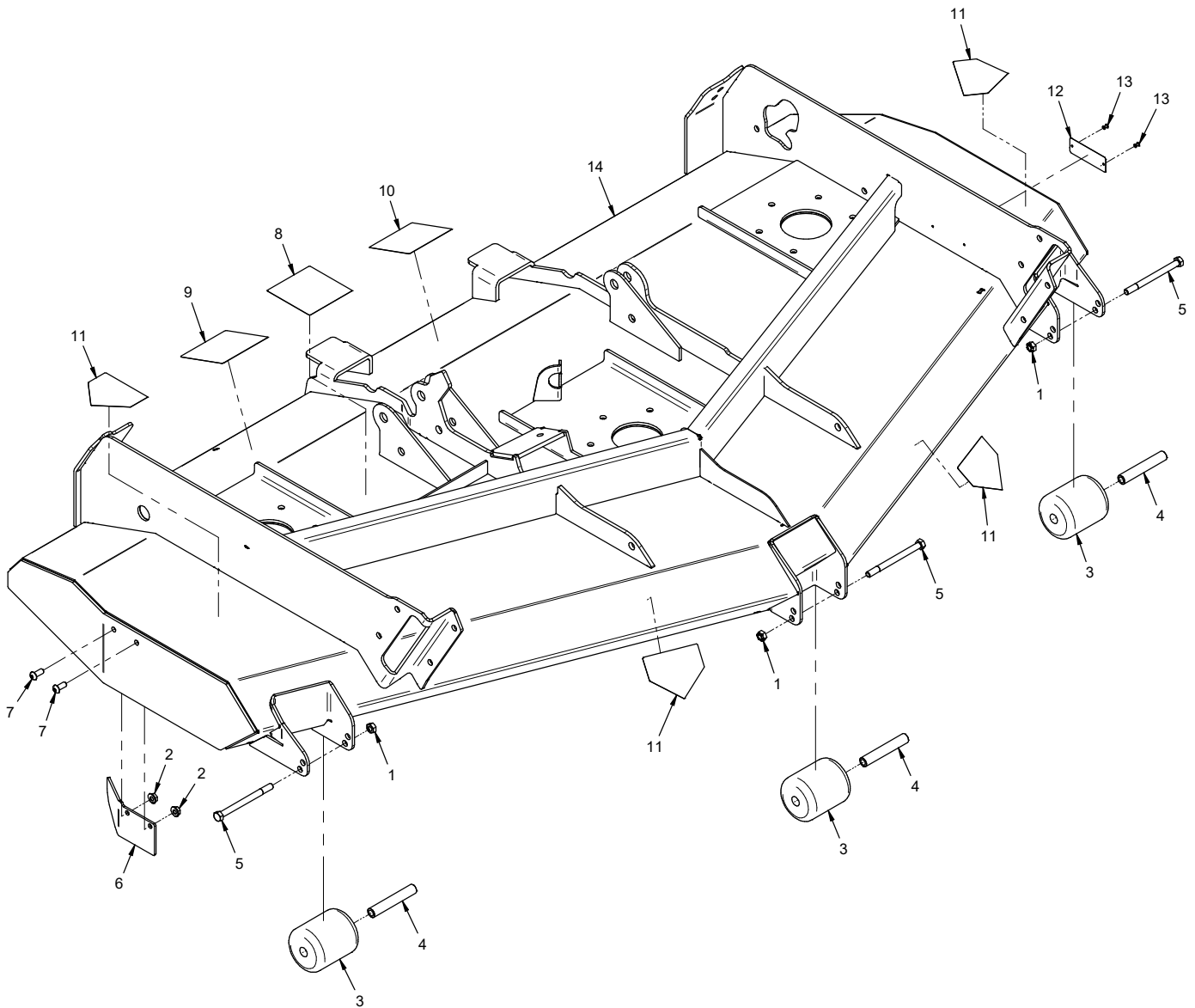
- If any component requires replacement, use only original Ventrac replacement parts.
- When ordering new components, be sure to order all required safety decals. All current safety decals must be affixed to the replacement components prior to installation of the component.

TABLE OF CONTENTS

PARTS	PAGE 4
Main Frame, Right Side Baffle, & Front Anti-Scalp Rollers	4
Carrier Frame & Wheels	6
Hitch Arms	8
Drive Shaft & Attachment Belt.....	10
Main Deck Belt, Pulleys, & Belt Tensioner.....	12
Spindles & Blades.....	14
Rear Roller & Roller Wiper Belting.....	16
Discharge Shield Belting.....	18
Height Adjust Linkage & Deck Slides.....	20
Main Deck Cover Shield	22
70.8167 Mulch Kit.....	24
70.8163 & 70.8214 Hydraulic Flip Up Kit	26

PARTS

ILLUSTRATED DRAWING Main Frame, Right Side Baffle, & Front Anti-Scalp Rollers



PARTS

Main Frame, Right Side Baffle, & Front Anti-Scalp Rollers

REF.	PART NO.	DESCRIPTION	QTY.
1	99.A06	Locknut, Stover 3/8-16 USS	3
2	99.SF05	Nut, SRF 5/16-18 USS	2
3	50.0047	Roller, Front 3" Dia X 3-1/2"	3
4	50.0046	Tube, Axle Front Roller	3
5	90.0636	Bolt, 3/8-16 USS x 4-1/2	3
6	60.1294	Baffle, Discharge	1
7	99.0506	Bolt, 5/16-18 x 3/4 BSCS	2
8	00.0062	Decal, Danger Shield Missing	1
9	00.0102	Decal, Danger - Pinching Hazard	1
10	00.0122	Decal, Thrown Object Hazard	1
11	00.0123	Decal, Keep Hands & Feet Clear	4
12	N/A	Plate, Ventrac Serial Number	1
13	04.0003	Rivet, Pop 1/8 X 3/8 SS	2
14	62.1465	Frame, Deck Weldment MU720	1

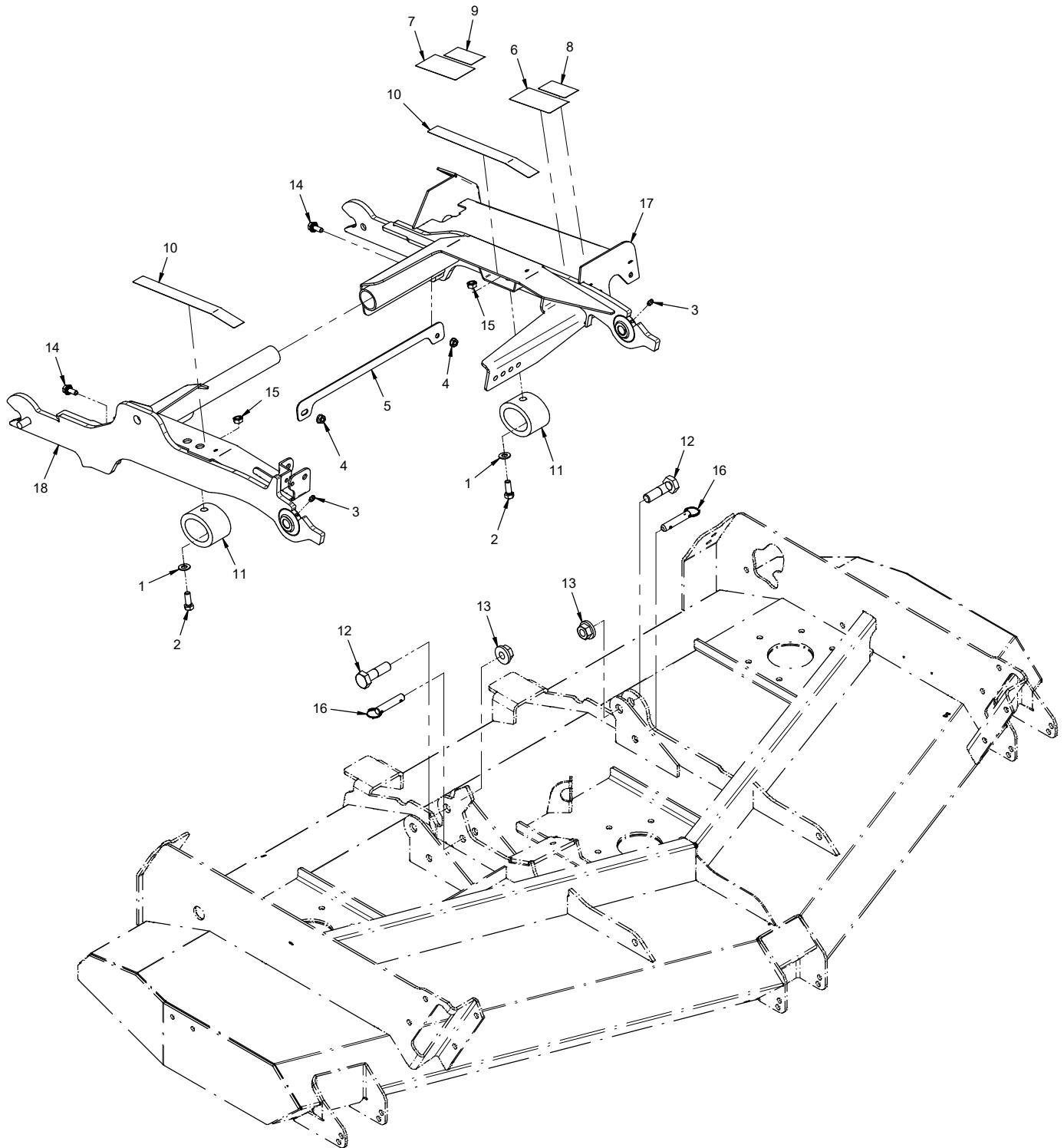
PARTS

Carrier Frame & Wheels

REF.	PART NO.	DESCRIPTION	QTY.
1	95.06	Washer, Flat 3/8 SAE	4
2	50.0195	Yoke, Caster 13" Wheel	2
3	29.GF0001	Grease Ftg, 1/4 SAE ST	2
4	50.0050	Tube, Swivel Axle	2
5	90.0660	Bolt, 3/8-16 USS x 7-1/2	2
6	99.A06C	Locknut, Center 3/8-16	2
7	29.GF0011	Grease Ftg, Plug 1/4-28	2
8	55.LM12710	Bearing, Cup	4
9	85.B0101	Bushing, .005 Spacer	4
10	85.B0099	Bushing, .875ID x 1.375OD x .120T	4
11	55.LM12749LA2	Bearing, Taper Roller Cone	4
12	99.B0119	Washer, Mach 7/8 x 1-3/8 x 10 GA	4
13	99.M0047	Locknut, Stover M22 X 1.5 ZP	2
14	05.0172	Plug, Ribbed Black LDPE	2
15	00.0383	Decal, Ventrac	1
16	70.8222	Kit, Carrier Frame & Discharge Belting (Serial # 01001-01484)	1
16	62.1464	Frame, Main Carrier MU720 (Serial # 01485-)	1
17	53.0155	Wheel, Asm 13 x 5 x 6 Caster	2
17	53.0148	Wheel, Asm 13x5x6 Rib Flatfree (Optional)	2
35	55.0072	Bearing, Retainer 3/4"	2
36	55.0088	Bearing, Roller Replacement	2
37	29.GF0001	Grease Ftg, 1/4 SAE ST	1

PARTS

ILLUSTRATED DRAWING Hitch Arms



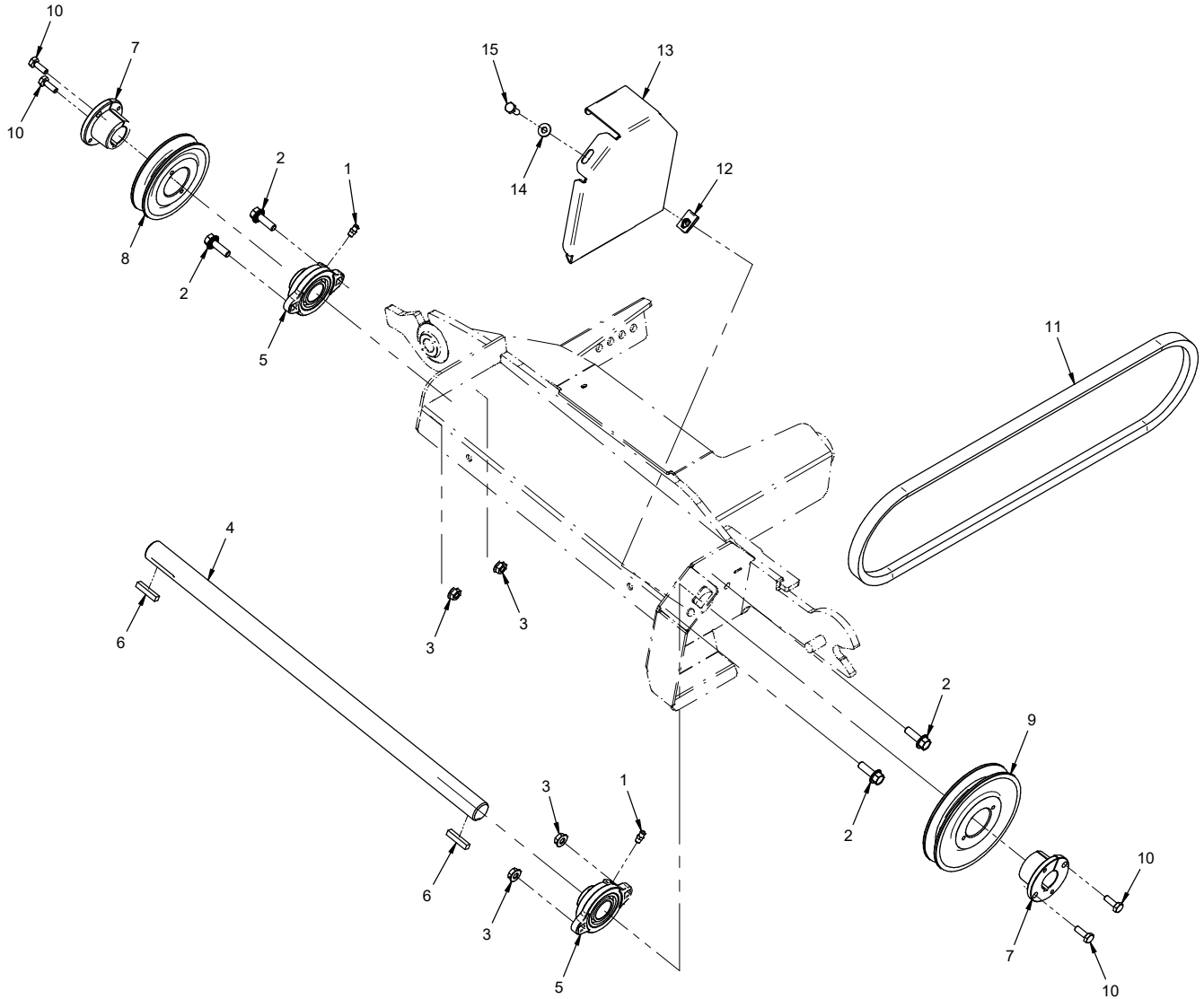
PARTS

Hitch Arms

REF.	PART NO.	DESCRIPTION	QTY.
1	95.06	Washer, Flat 3/8 SAE	2
2	90.0608	Bolt, 3/8-16 USS x 1	2
3	29.GF0001	Grease Ftg, 1/4 SAE ST	2
4	99.SF05	Nut, SRF 5/16-18 USS	2
5	64.1934	Brace, Hitch Arm Spacing	1
6	00.0217	Decal, Warning Read Owners Man	1
7	00.0220	Decal, General Safety	1
8	00.0219	Decal, Warning Do Not Reach	1
9	00.0216	Decal, Warning Moving Parts	1
10	00.0427	Decal, Wear Resistant	2
11	05.0169	Bumper, Elastomer 1300 LBS PF	2
12	99.K0111	Bolt, 5/8-11 X 2-1/4 Grd A325	2
13	99.E0094	Locknut, 5/8-11 Flanged Stover	2
14	99.SF0506	Bolt, SRF 5/16-18 USS X 3/4	2
15	99.A06	Locknut, Stover 3/8-16 USS	2
16	03.0007	Pin, Ball 1/2 x 1.8"	2
17	62.1452	Hitch, Arm Left MS720	1
18	62.1453	Hitch, Arm Right MS720	1

PARTS

ILLUSTRATED DRAWING Drive Shaft & Attachment Belt



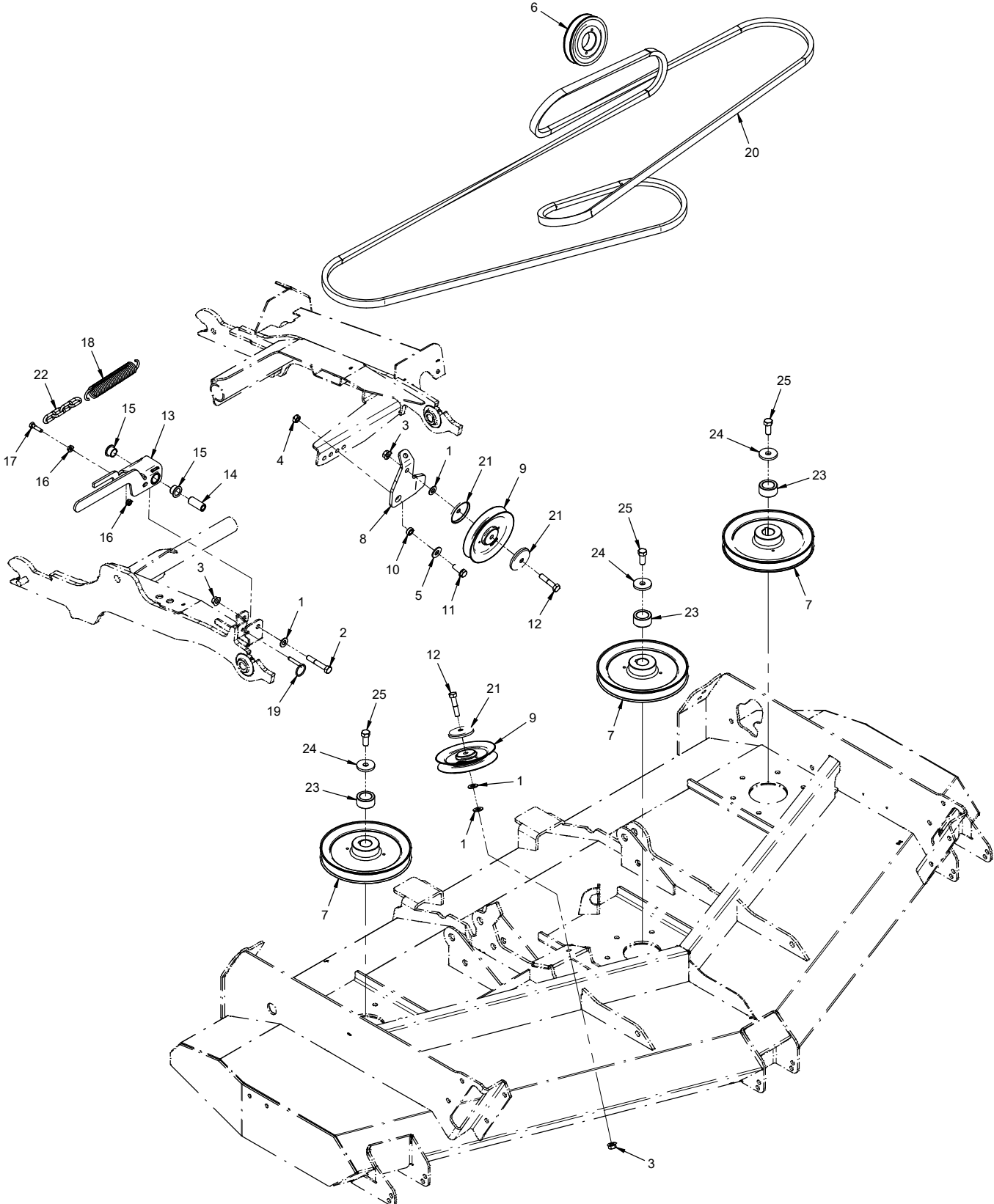
PARTS

Drive Shaft & Attachment Belt

REF.	PART NO.	DESCRIPTION	QTY.
1	29.GF0001	Grease Ftg, 1/4 SAE ST	2
2	99.SF0508	Bolt, SRF 5/16-18 USS X 1	4
3	99.SF05	Nut, SRF 5/16-18 USS	4
4	80.0389	Shaft, Hitch Arm	1
5	55.FB16016-1	Bearing, Flange Block 1"	2
6	85.K0410	Key, 1/4 X 1-1/4	2
7	83.H16S	Bushing, 1" Split 1/4" Key	2
8	83.BK45H	Pulley, 4.5" H-Bush	1
9	83.BK55H	Pulley, 5.5" H-Bushing	1
10	90.0406	Bolt, 1/4-20 USS x 3/4"	4
11	81.B045	Belt, B45	1
12	99.E0046	Nut, "U" 1/4-20 Extruded	1
13	60.0665	Shield, Drive Pulley	1
14	95.04	Washer, Flat 1/4 SAE	1
15	90.0406	Bolt, 1/4-20 USS x 3/4"	1

PARTS

ILLUSTRATED DRAWING Main Deck Belt, Pulleys, & Belt Tensioner



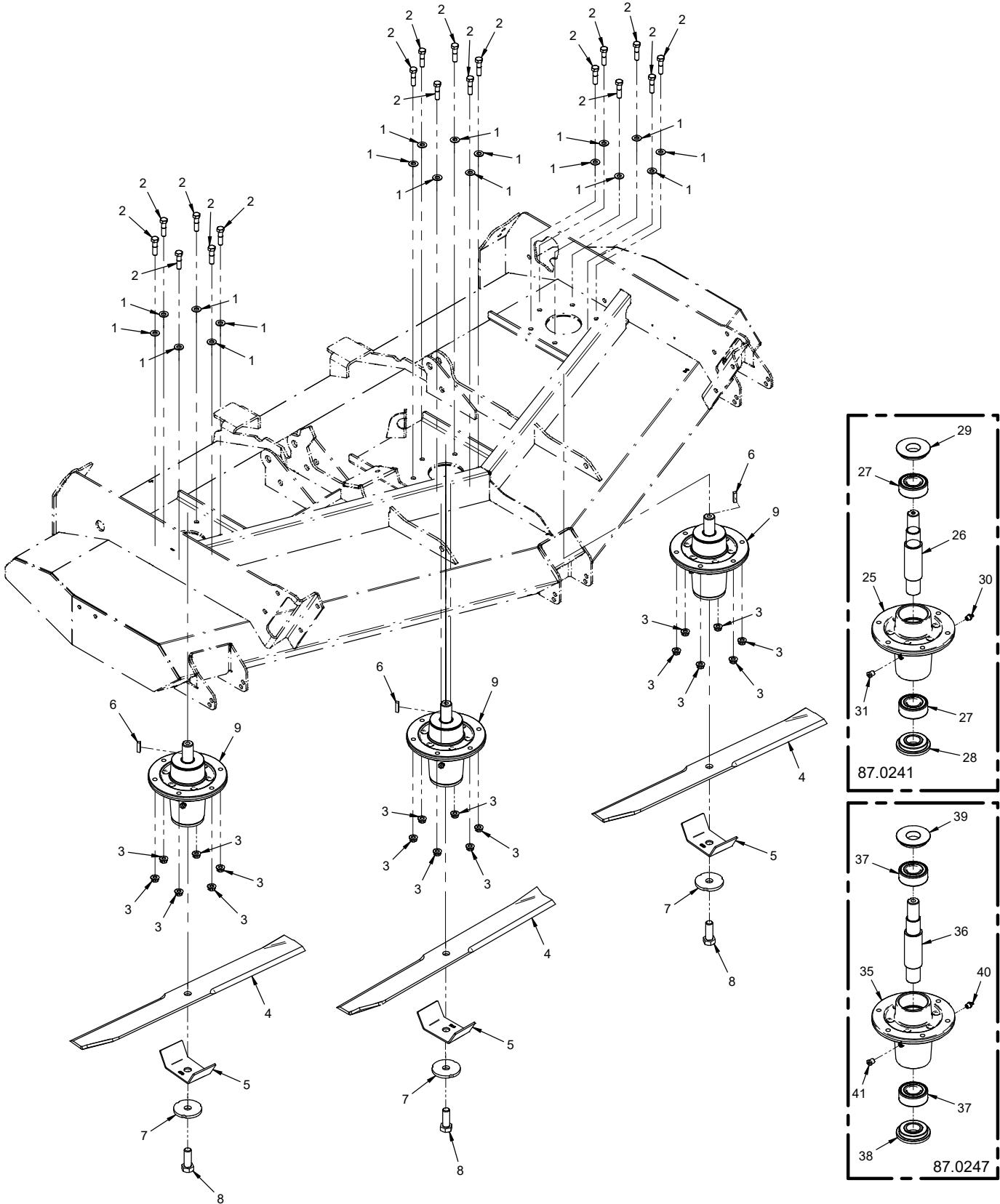
PARTS

Main Deck Belt, Pulleys, & Belt Tensioner

REF.	PART NO.	DESCRIPTION	QTY.
1	95.06	Washer, Flat 3/8 SAE	4
2	90.0618	Bolt, 3/8-16 USS x 2-1/4	1
3	99.SF06	Nut, SRF 3/8-16 USS	3
4	99.A06	Locknut, Stover 3/8-16 USS	1
5	94.06	Washer, Flat 3/8 USS	1
6	83.BK45H	Pulley, 4.5" H-Bush	1
7	83.0065	Pulley, 7-1/2, 25MM STR Bore	3
8	40.0399	Idler Arm, Belt Tension	1
9	83.0031	Pulley, V-Idler 5-1/16 x 3/8ID	2
10	64.0602	Bushing, 3/8 x 5/8 x .265	1
11	99.SF0608	Bolt, SRF 3/8-16 USS x 1	1
12	90.0614	Bolt, 3/8-16 USS x 1-3/4	2
13	70.8218	Kit, Belt Tension/Cylinder Lock (2 parts)	1
14	64.1936	Bushing, Belt Tension Pivot	1
15	85.B0088	Bushing, 5/8 ID X 3/4 OD X 1/2	2
16	99.SF04	Nut, SRF 1/4-20 USS	2
17	90.0408	Bolt, 1/4-20 USS x 1"	1
18	41.0048	Spring, Ext. 1 OD X 6	1
19	03.0022	Pin, Ball 1/4" x 1"	1
20	81.0162	Belt, B180 Custom	1
21	60.1056	Cover, Pulley	3
22	81.0160	Chain, 1/8 Plated x 4 Links	1
23	64.1976	Bushing, 1ID X 1.5OD X .750L	3
24	99.B0128	Washer, .323 ID x 1.50 OD (Serial # 01001-01244)	3
24	99.B0134	Washer, .448 ID x 1.50 OD (Serial # 01245-)	3
25	99.SF0508-8	Bolt, SRF 5/16-18 X 1 GR8 (Serial # 01001-01244)	3
25	91.0708-8	Bolt, 7/16-20 x 1 Gr8 (Serial # 01245-)	3

PARTS

ILLUSTRATED DRAWING Spindles & Blades



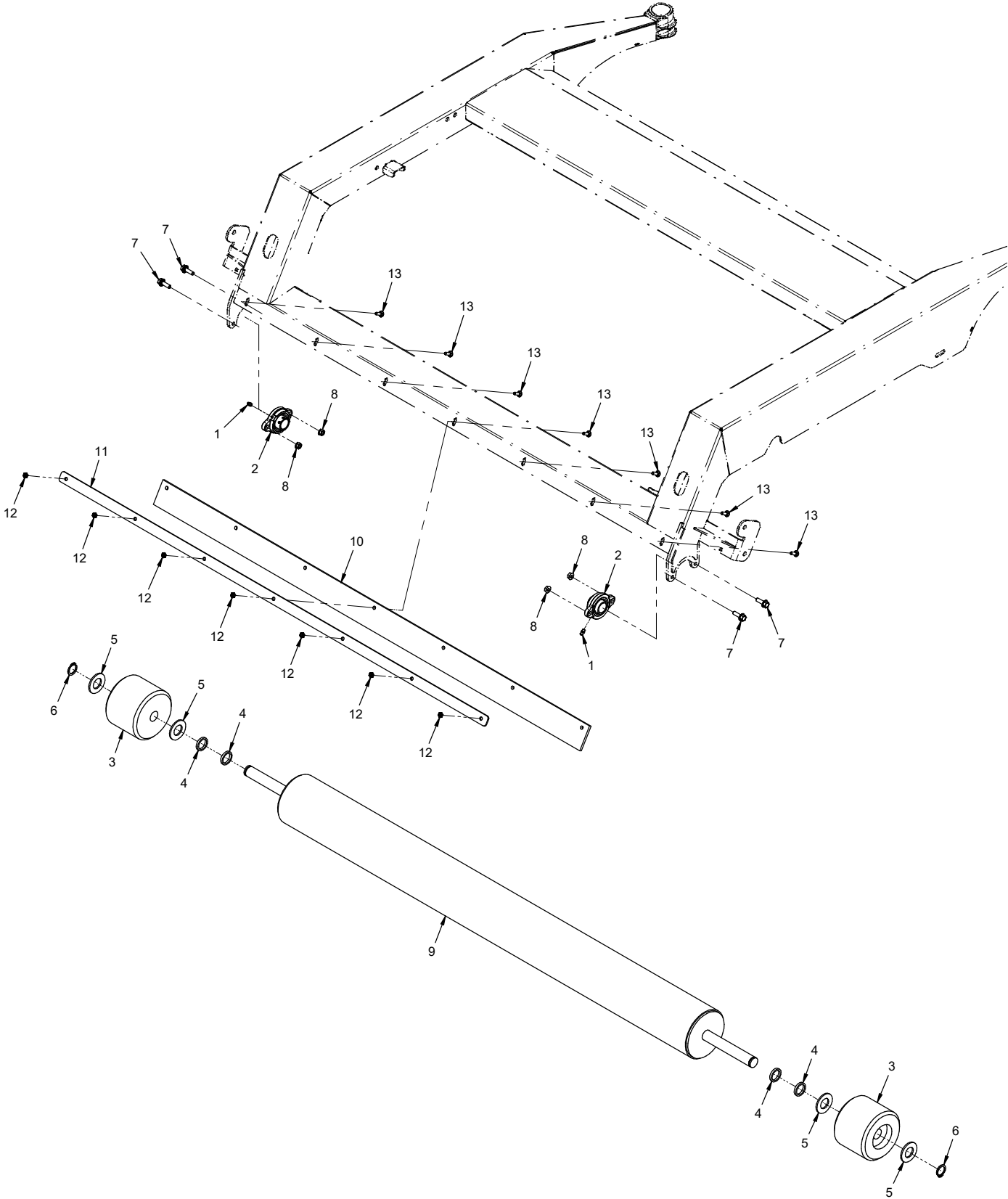
PARTS

Spindles & Blades

REF.	PART NO.	DESCRIPTION	QTY.
1	95.06	Washer, Flat 3/8 SAE	18
2	90.0612	Bolt, 3/8-16 USS x 1-1/2	18
3	99.E0082	Nut, Locking Flange 3/8-16	18
4	79.0104	Blade, 25x5/8 RH S Lowlift	3
4	79.0105	Blade, 25x5/8 RH S Highlift (Optional)	3
4	79.0107	Blade, 25 X 5/8 RH S Gator (Optional)	3
4	79.0106	Blade, 24-15/16x5/8 RH F Mulch (Optional)	3
5	64.2003	Guard, Spindle/Anti-String	3
6	85.K0408	Key, 1/4 X 1	3
7	99.B0097	Washer, .635 ID X 2-1/2 OD 1/4	3
8	91.1014	Bolt, 5/8-18 SAE x 1-3/4	3
9	87.0241	Spindle, Asm HD RH (Serial # 01001-01244)	3
9	87.0247	Spindle, Asm HD AL RH (Serial # 01245-)	3
25	87.0241-1	Housing, Spindle AL	1
26	87.0241-2	Shaft, Spindle RH	1
27	55.0095	Bearing, Ball 30MM x 62MM	2
28	87.0224-3	Shield, Spindle Bottom	1
29	87.0225-3	Shield, Spindle Top	1
30	29.GF0004	Grease Ftg, 1/8 NPT St	1
31	29.GF0017	Fitting, Relief	1
35	87.0241-1	Housing, Spindle AL	1
36	87.0247-2	Shaft, Spindle RH	1
37	55.0095	Bearing, Ball 30MM x 62MM	2
38	87.0224-3	Shield, Spindle Bottom	1
39	87.0225-3	Shield, Spindle Top	1
40	29.GF0004	Grease Ftg, 1/8 NPT St	1
41	29.GF0017	Fitting, Relief	1

PARTS

ILLUSTRATED DRAWING Rear Roller & Roller Wiper Belting



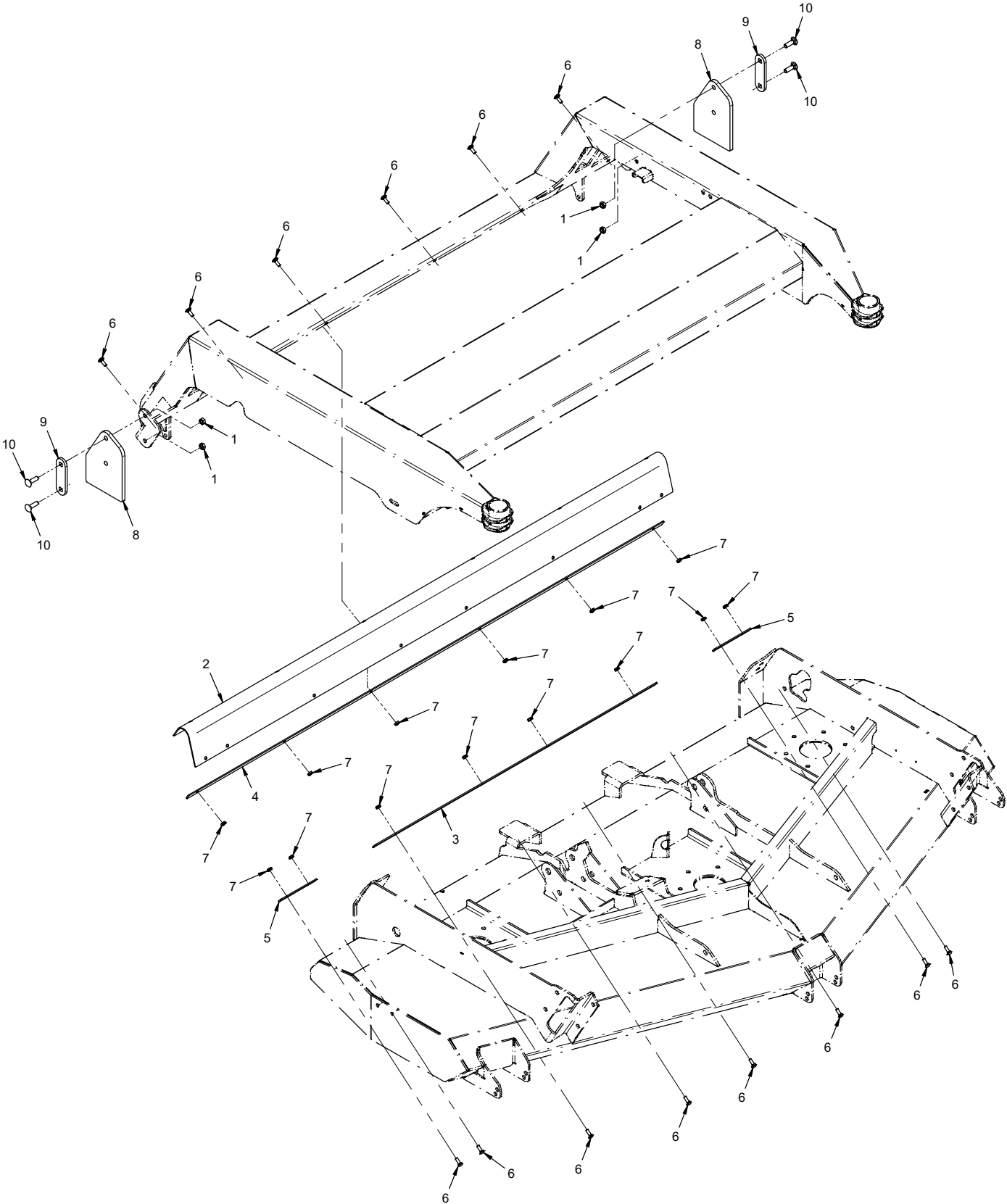
PARTS

Rear Roller & Roller Wiper Belting

REF.	PART NO.	DESCRIPTION	QTY.
1	29.GF0001	Grease Ftg, 1/4 SAE ST	2
2	55.FB16016-2	Bearing, 2 Bolt Flange 1"	2
3	50.0194	Roller, End 5" Dia x 4" Long	2
4	64.1930	Spacer, Rear Roller End	4
5	95.16	Washer, Flat 1 SAE	4
6	04.0025	Snap Ring, Ext.1 Shft .078 Thk	2
7	99.SF0508	Bolt, SRF 5/16-18 USS X 1	4
8	99.SF05	Nut, SRF 5/16-18 USS	4
9	80.0388	Roller, Rear MS720	1
10	44.0361	Belting, Roller Wiper	1
11	64.1871	Clamp, Roller Wiper	1
12	99.A04	Locknut, Stover 1/4-20 USS	7
13	97.0406	Bolt, Carriage 1/4-20 X 3/4	7

PARTS

ILLUSTRATED DRAWING Discharge Shield Belting



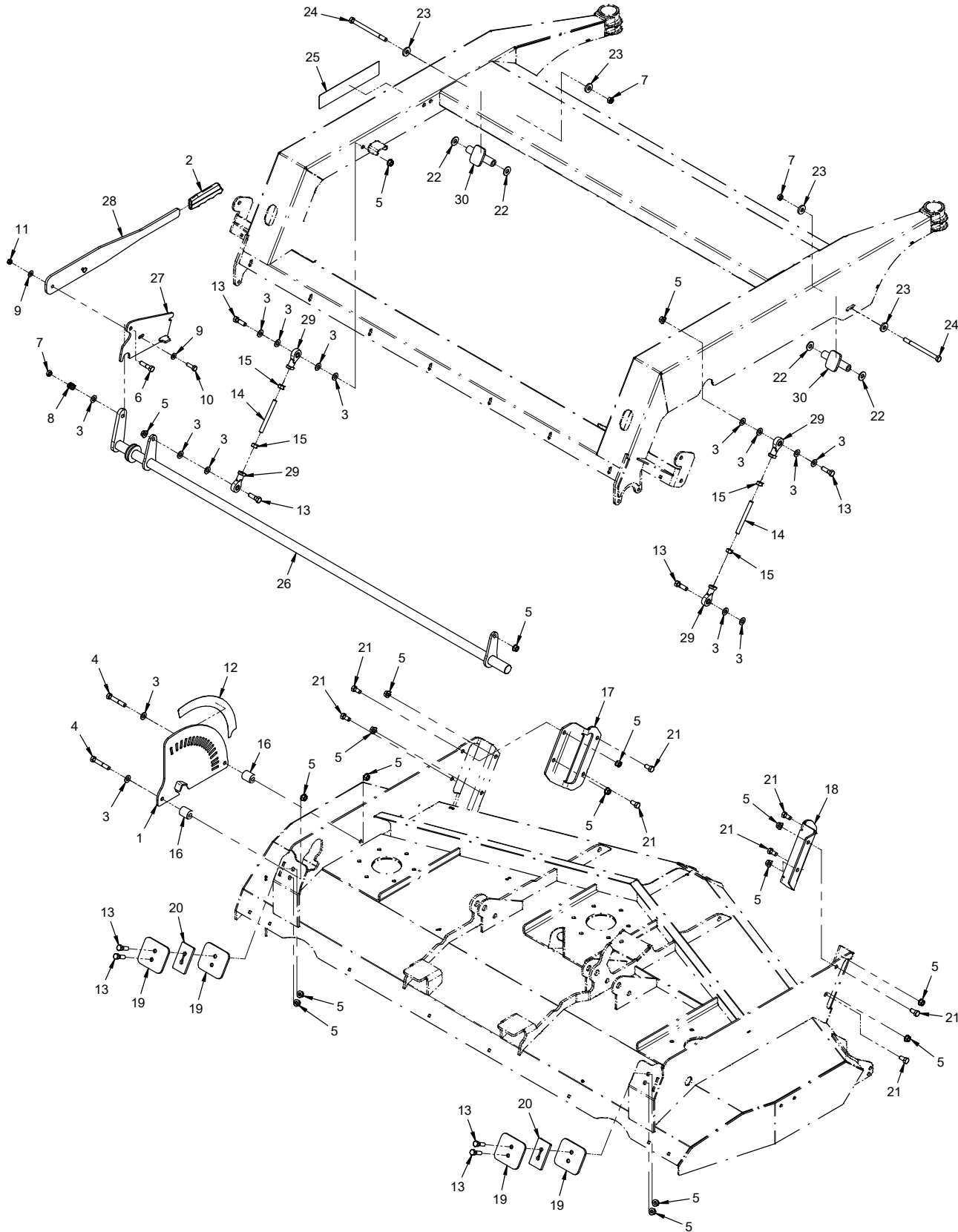
PARTS

Discharge Shield Belting

REF.	PART NO.	DESCRIPTION	QTY.
1	99.A06	Locknut, Stover 3/8-16 USS	4
2	44.0385	Belting, Discharge Shield (Serial # 01001-01484)	1
2	44.0414	Belting, Discharge Shield (Serial # 01485-)	1
3	64.1967	Clamp, Center Rear Discharge	1
4	64.1983	Clamp, Rear Discharge Belting	1
5	64.1968	Clamp, End Rear Discharge	2
6	97.0406	Bolt, Carriage 1/4-20 X 3/4	14
7	99.A04	Locknut, Stover 1/4-20 USS	14
8	44.0388	Belting, Side Guard	2
9	64.1986	Clamp, Side Guard	2
10	97.0610	Bolt, Carriage 3/8-16 x 1-1/4	4

PARTS

ILLUSTRATED DRAWING Height Adjust Linkage & Deck Slides



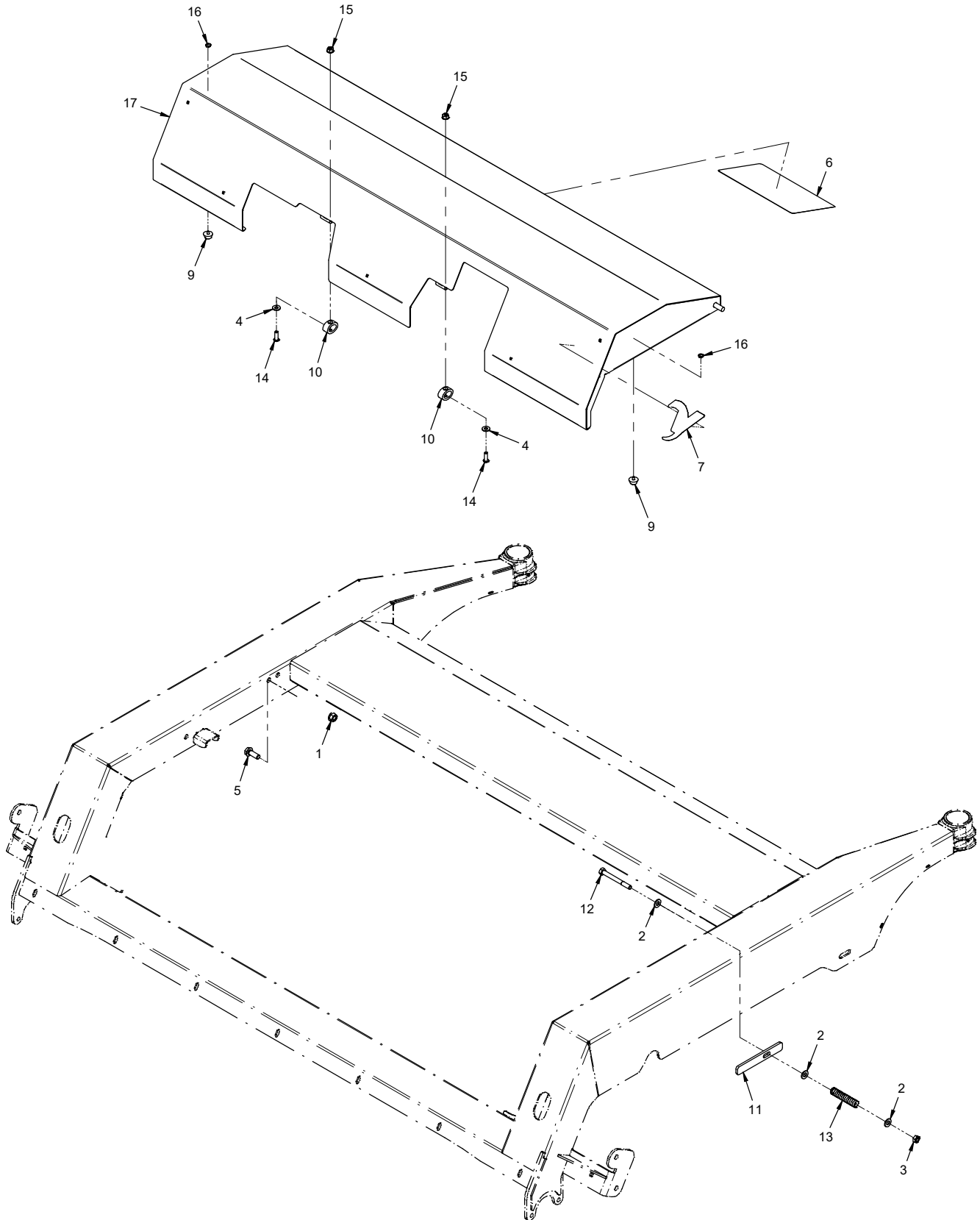
PARTS

Height Adjust Linkage & Deck Slides

REF.	PART NO.	DESCRIPTION	QTY.
1	64.1961	Plate, Height Adjust Selector	1
2	47.0086	Grip, Slip-On Handle - Black	1
3	95.06	Washer, Flat 3/8 SAE	15
4	90.0618	Bolt, 3/8-16 USS x 2-1/4	2
5	99.SF06	Nut, SRF 3/8-16 USS	18
6	90.0612	Bolt, 3/8-16 USS x 1-1/2 (Serial # 01001-01100)	1
6	90.0616	Bolt, 3/8-16 USS x 2 (Serial # 01101-)	1
7	99.A06	Locknut, Stover 3/8-16 USS	3
8	41.0039	Spring, Comp. 9/16 OD X 5/8 (Serial # 01001-01100)	1
8	41.0119	Spring, Comp .785 OD x 1 Lg (Serial # 01101-)	1
9	95.05	Washer, Flat 5/16 SAE	2
10	90.0508	Bolt, 5/16-18 USS x 1"	1
11	99.A05	Locknut, Stover 5/16-18 USS	1
12	00.0425	Decal, Cut Height Position	1
13	90.0610	Bolt, 3/8-16 USS x 1-1/4	8
14	99.J0630NFZ	Rod, Threaded 3/8-24 x 3-3/4L	2
15	93.06	Nut, 3/8-24 SAE	4
16	64.0905	Tube, RD 7/16 X 1 X 1-1/4L	2
17	64.1904	Bracket, Front Slide Left	1
18	64.1905	Bracket, Front Slide Right	1
19	64.1179	Plate, Rear Slide Retainer	4
20	64.1181	Spacer, Rear Slide	2
21	90.0606	Bolt, 3/8-16 USS x 3/4	8
22	94.06	Washer, Flat 3/8 USS	4
23	99.G0014	Washer, 3/8 USS FW .165 Thk	4
24	90.0640	Bolt, 3/8-16 USS x 5	2
25	00.0426	Decal, Cut Height Position Key	1
26	42.0579	Shaft, Ht Adj Crossbar MS720	1
27	64.1910	Bracket, Height Adjuster	1
28	64.1911	Lever, Height Adjuster	1
29	43.006	Rod End, 3/8 Spherical	4
30	64.1180	Tube, Front Slide	2

PARTS

ILLUSTRATED DRAWING Main Deck Cover Shield



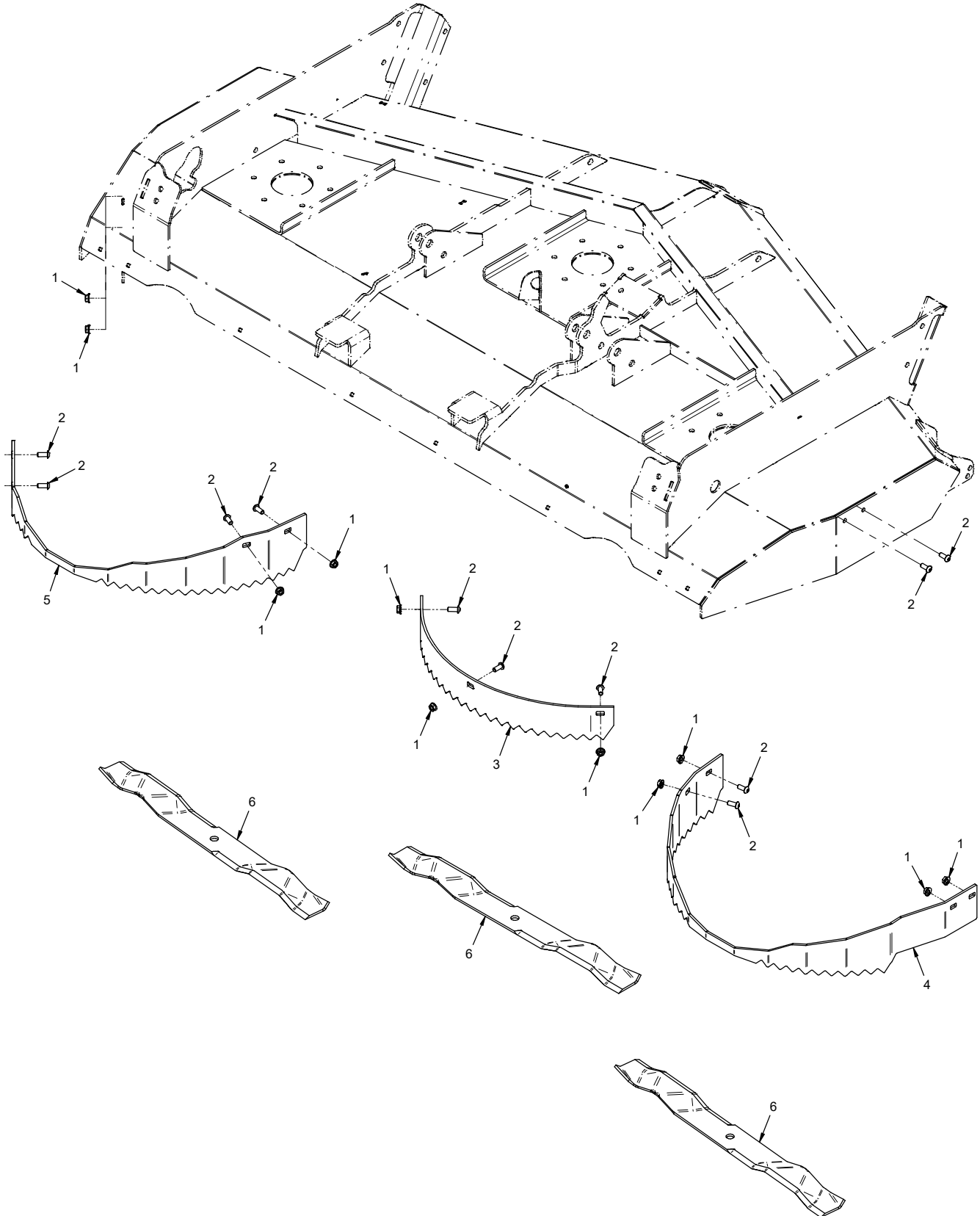
PARTS

Main Deck Cover Shield

REF.	PART NO.	DESCRIPTION	QTY.
1	99.SF06	Nut, SRF 3/8-16 USS	1
2	95.05	Washer, Flat 5/16 SAE	3
3	99.A05	Locknut, Stover 5/16-18 USS	1
4	95.04	Washer, Flat 1/4 SAE	2
5	99.SF0608	Bolt, SRF 3/8-16 USS x 1	1
6	00.0428	Decal, Mower Maintenance	1
7	00.0192	Decal, V-Decal Die Cut Blue	1
9	05.0171	Bumper, Neoprene 60 Duro	2
10	05.0170	Bumper, Elastomer 125 Lbs PF	2
11	64.0682	Bracket, Shield Spring	1
12	90.0524	Bolt, 5/16-18 USS x 3"	1
13	41.0021	Spring, Comp 1/2 OD X 2-3/4 LG	1
14	99.0406	Bolt, 1/4-20 x 3/4 BSCS	2
15	99.E0101	Nut, Locking Flange 1/4-20	2
16	99.E0104	Nut, Jam #8-32 Nylon Lock	2
17	60.1268	Shield, Main Deck Cover MS720	1

PARTS

ILLUSTRATED DRAWING 70.8167 Mulch Kit



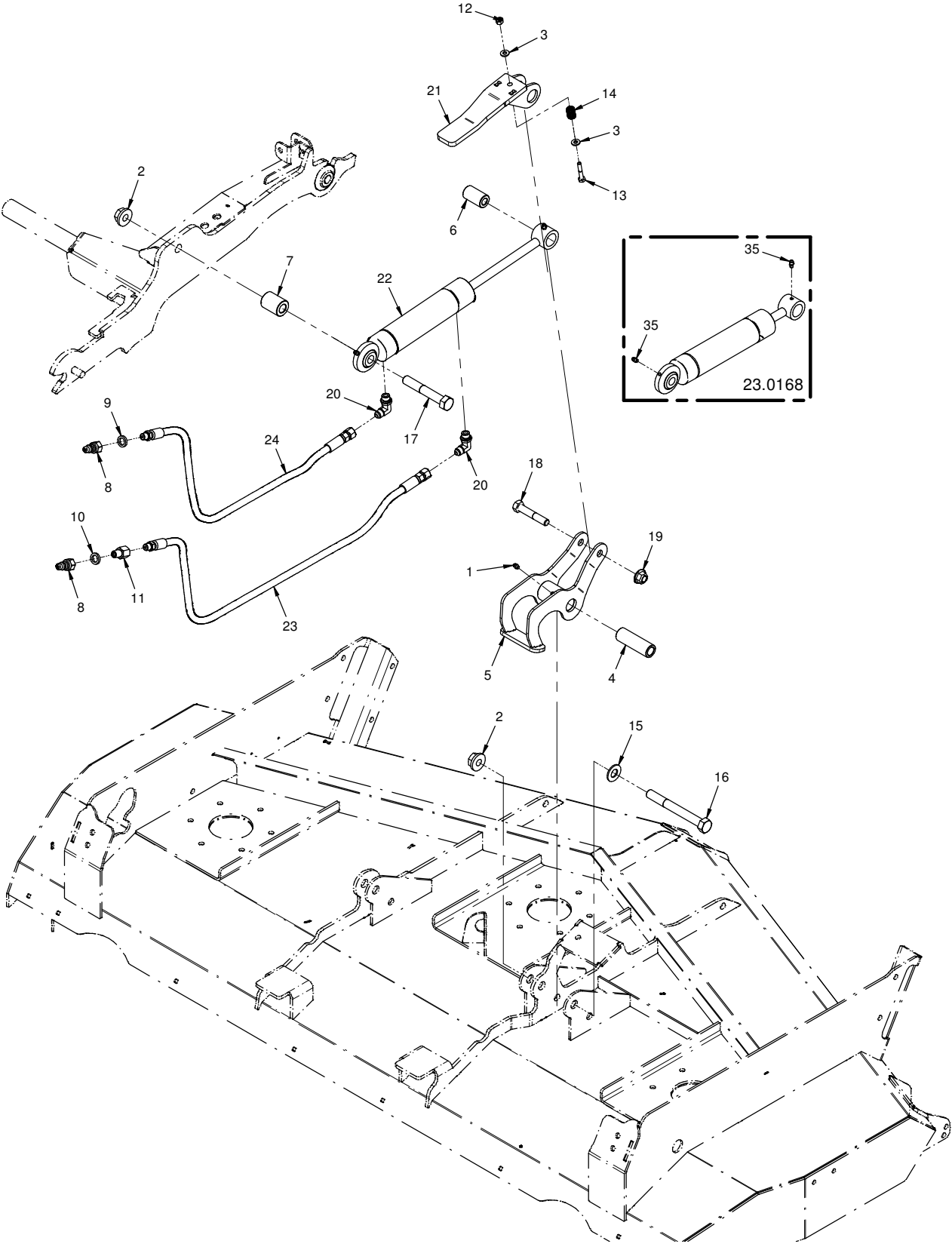
PARTS

70.8167 Mulch Kit

REF.	PART NO.	DESCRIPTION	QTY.
1	99.SF05	Nut, SRF 5/16-18 USS	11
2	99.0506	Bolt, 5/16-18 x 3/4 BSCS	11
3	64.1992	Ring, Mulching Baffle Center	1
4	64.1993	Ring, Mulching Baffle Right	1
5	64.1994	Ring, Mulching Baffle Left	1
6	79.0106	Blade, 24-15/16x5/8 RH F Mulch	3

PARTS

ILLUSTRATED DRAWING 70.8163 & 70.8214 Hydraulic Flip Up Kit



PARTS

70.8163 & 70.8214 Hydraulic Flip Up Kit

REF.	PART NO.	DESCRIPTION	QTY.
1	29.GF0001	Grease Ftg, 1/4 SAE ST	1
2	99.E0094	Locknut, 5/8-11 Flanged Stover	2
3	95.04	Washer, Flat 1/4 SAE	2
4	64.1975	Bushing, .641 x 1.00 x 3.094L	1
5	64.1972	Bracket, Flip Up Rocker	1
6	64.1973	Bushing, .516ID X 1 OD X 1.75 L	1
7	64.1974	Bushing, .656 x 1.25 x 1.625L	1
8	23.0104	Coupler, Quick Male 1/4	2
9	05.0117	Washer, .544 ID x .817 x .14 Yel	1
10	05.0116	Washer, .544 ID x .817 x .14 Red	1
11	29.0092	Fitting, .025 Orifice 1/4 Pipe	1
12	99.A04N	Locknut, Nylon 1/4-20	1
13	90.0412	Bolt, 1/4-20 USS x 1-1/2	1
14	41.0108	Spring, Comp. .531 OD X .780 LG	1
15	95.10	Washer, Flat 5/8 SAE	1
16	90.1044	Bolt, 5/8-11 USS x 5-1/2	1
17	90.1032	Bolt, 5/8-11 USS x 4	1
18	90.0822	Bolt, 1/2-13 USS x 2-3/4	1
19	99.E0103	Nut, Locking Flange 1/2-13	1
20	25.6801-06-06	Fitting, 90 ME 3/8 x 3/8	2
21	70.8218	Kit, Belt Tensioner/Cylinder Lock (2 parts)	1
22	23.0168	Cylinder, 1-3/4" X 5-1/4"	1
23	20.0169	Hose, 1/4x38.00 SAE 100R17 AR	1
24	20.0166	Hose, 1/4x35.00 SAE 100R17 AR	1
35	29.GF0001	Grease Ftg, 1/4 SAE ST	2