

*Parts Manual*

# MA900

*Boom Mower*



Revised 02/01/21  
09.20032 Rev. 01



500 Venture Drive  
Orrville Oh 44667  
www.ventrac.com

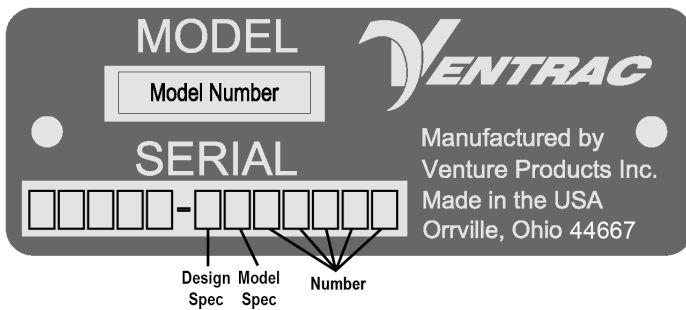
[View all manuals](#)



Visit [ventrac.com/manuals](http://ventrac.com/manuals) for the latest version of this parts manual.

A downloadable operator's manual is also available.

## Serial Number Description



## Notes

- If any component requires replacement, use only original Ventrac replacement parts.
- When ordering new components, be sure to order all required safety decals. All current safety decals must be affixed to the replacement components prior to installation of the component.

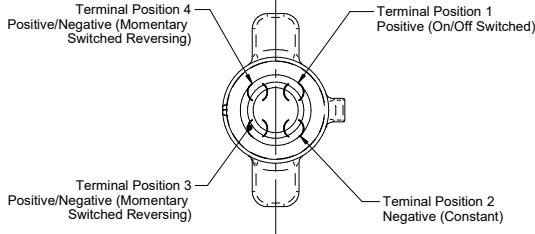
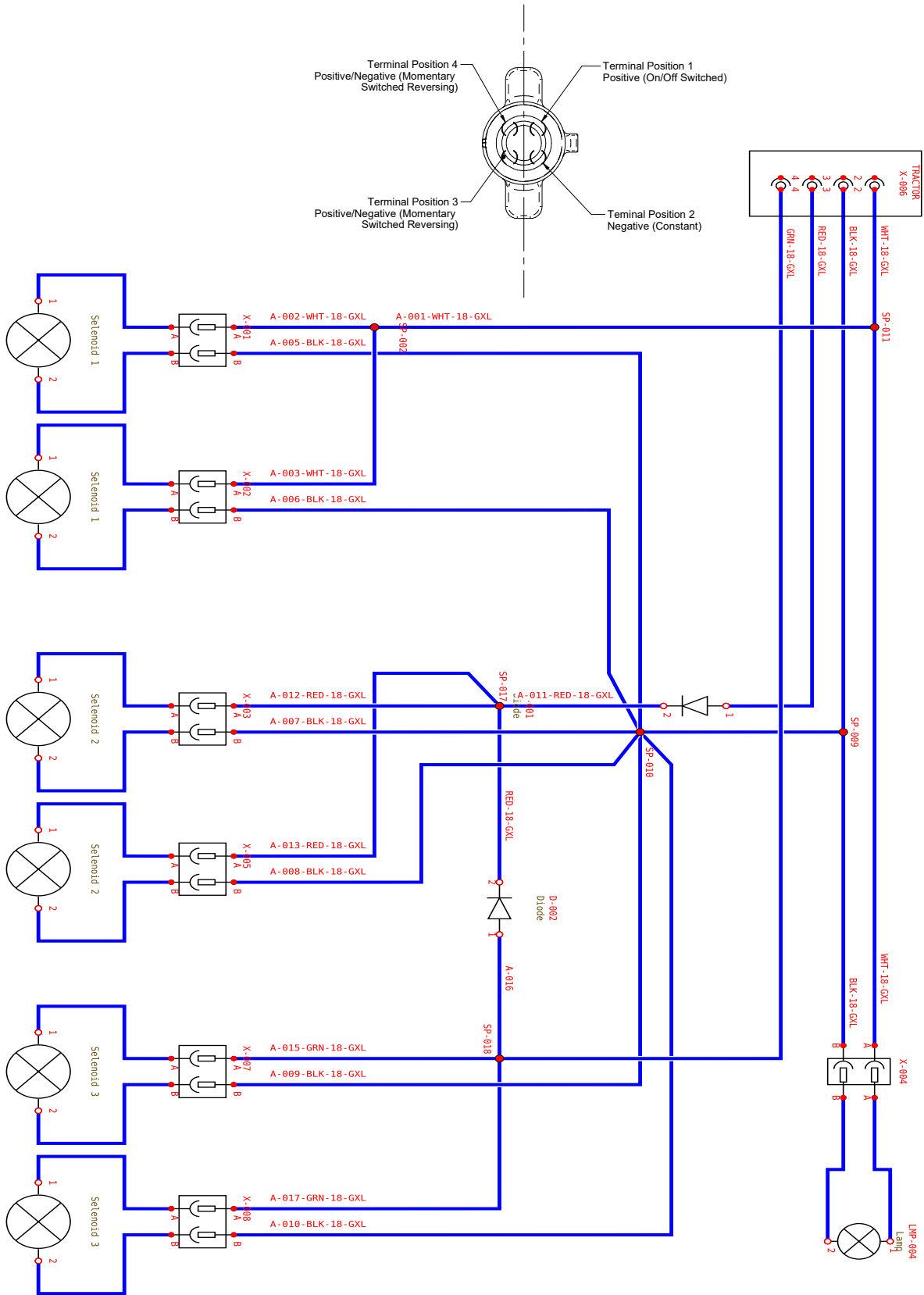
# TABLE OF CONTENTS

---

<b>PARTS</b>	<b>PAGE 4</b>
Electrical Diagram .....	4
O-Ring Chart .....	5
Fitting Chart.....	5
Hydraulic Diagram - Arm & Cutter Bar Rotation.....	8
Hydraulic Diagram - Blade Drive.....	10
Main Frame & Front Rollers .....	12
Caster Wheels & Jack Stands.....	14
Main Arm Frame, Main Arm Pivots, & Outer Arm Frame .....	16
Outer Arm Pivots, Top Link Arm, & Eccentric Rocker Pin .....	18
Cutter Head Pivot, Cutter Bar Frame & Pivot.....	20
Cutter Head Rotation Chains .....	22
Cutter Head Cover & Cutter Bar Skid Plates .....	24
Cutter Head Crankshaft .....	26
Cutter Head Drive Link Rockers.....	28
Cutter Bar Guides .....	30
Knife Blades, Double Finger Guards, & Cutting Edge Cover.....	32
Hydraulic Pump, Filter, & Relief Valve.....	34
Hydraulic Motor .....	36
Outer Arm Extension Cylinder.....	38
Boom Control Valve & Indicator Light .....	40
Boom Control Valve Shields.....	42
Main Arm Rotation Cylinders.....	44
Cutter Bar Rotation Cylinder & Lockout Arm.....	46

# PARTS

## Electrical Diagram Rear View



# PARTS

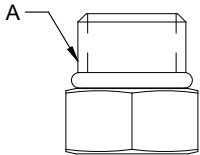
## O-Ring Chart

Straight Thread O-Ring Boss - O-Ring Replacement Part Numbers						
SAE Fitting Size	Thread Size	VPI Part #	ID	OD	Width	AS568A Dash #
-04	7/16-20	26.0035	0.351"	0.495"	0.072"	904
-06	9/16-18	26.0036	0.468"	0.624"	0.078"	906
-08	3/4-16	26.0037	0.644"	0.818"	0.087"	908
-10	7/8-14	26.0038	0.755"	0.949"	0.097"	910
-12	1-1/16-12	26.0039	0.924"	1.156"	0.116"	912
-16	1-5/16-12	26.0043	1.171"	1.403"	0.116"	916

O-Ring Face Seal Hose - O-Ring Replacement Part Numbers						
SAE Fitting Size	Thread Size	VPI Part #	ID	OD	Width	AS568A Dash #
-04	9/16-18	26.0044	0.301"	0.441"	0.070"	011
-06	11/16-16	26.0025	0.364"	0.504"	0.070"	012
-08	13/16-16	26.0009	0.489"	0.629"	0.070"	014
-10	1-14	26.0023	0.614"	0.754"	0.070"	016
-12	1-3/16-12	26.0045	0.739"	0.879"	0.070"	018
-16	1-7/16-12	26.0046	0.926"	1.066"	0.070"	021

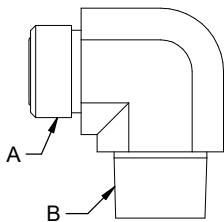
## Fitting Chart

25.6408-(xx) Plug



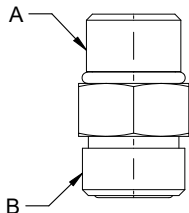
Fitting End A		O-Ring	
SAE Fitting Size	Thread Size	AS568A Dash #	VPI Part #
-04	7/16-20	904	26.0035
-06	9/16-18	906	26.0036
-08	3/4-16	908	26.0037
-10	7/8-14	910	26.0038
-12	1-1/16-12	912	26.0039
-16	1-5/16-12	916	26.0043

25.FF2501-(xx)-(xx) Fitting



Fitting End A		O-Ring		Fitting End B		O-Ring	
SAE Fitting Size	Thread Size	AS568A Dash #	VPI Part #	SAE Fitting Size	Thread Size	AS568A Dash #	VPI Part #
-04	9/16-18	011	26.0044	-04	1/4-18 NPT	-	-
-06	11/16-16	012	26.0025	-06	3/8-18 NPT	-	-
-08	13/16-16	014	26.0009	-08	1/2-14 NPT	-	-
-10	1-14	016	26.0023	-10	-	-	-
-12	1-3/16-12	018	26.0045	-12	3/4-14 NPT	-	-
-16	1-7/16-12	021	26.0046	-16	1-11 1/2 NPT	-	-

25.FF6400-(xx)-(xx) Fitting

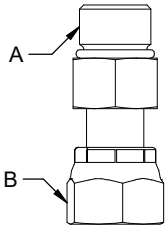


Fitting End A		O-Ring		Fitting End B		O-Ring	
SAE Fitting Size	Thread Size	AS568A Dash #	VPI Part #	SAE Fitting Size	Thread Size	AS568A Dash #	VPI Part #
-04	7/16-20	904	26.0035	-04	9/16-18	011	26.0044
-06	9/16-18	906	26.0036	-06	11/16-16	012	26.0025
-08	3/4-16	908	26.0037	-08	13/16-16	014	26.0009
-10	7/8-14	910	26.0038	-10	1-14	016	26.0023
-12	1-1/16-12	912	26.0039	-12	1-3/16-12	018	26.0045
-16	1-5/16-12	916	26.0043	-16	1-7/16-12	021	26.0046

# PARTS

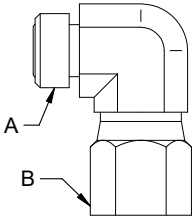
## Fitting Chart

### 25.FF6402-(xx)-(xx) Fitting



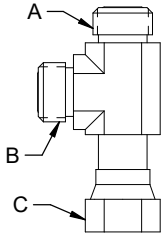
Fitting End A		O-Ring		Fitting End B		O-Ring	
SAE Fitting Size	Thread Size	AS568A Dash #	VPI Part #	SAE Fitting Size	Thread Size	AS568A Dash #	VPI Part #
-04	9/16-18	011	26.0044	-04	9/16-18	-	-
-06	11/16-16	012	26.0025	-06	11/16-16	-	-
-08	13/16-16	014	26.0009	-08	13/16-16	-	-
-10	1-14	016	26.0023	-10	1-14	-	-
-12	1-3/16-12	018	26.0045	-12	1-3/16-12	-	-
-16	1-7/16-12	021	26.0046	-16	1-7/16-12	-	-

### 25.FF6500-(xx)-(xx) Fitting



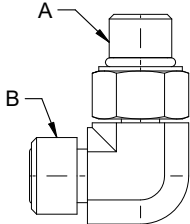
Fitting End A		O-Ring		Fitting End B		O-Ring	
SAE Fitting Size	Thread Size	AS568A Dash #	VPI Part #	SAE Fitting Size	Thread Size	AS568A Dash #	VPI Part #
-04	9/16-18	011	26.0044	-04	9/16-18	-	-
-06	11/16-16	012	26.0025	-06	11/16-16	-	-
-08	13/16-16	014	26.0009	-08	13/16-16	-	-
-10	1-14	016	26.0023	-10	1-14	-	-
-12	1-3/16-12	018	26.0045	-12	1-3/16-12	-	-
-16	1-7/16-12	021	26.0046	-16	1-7/16-12	-	-

### 25.FF6602-(x)-(x)-(x) Fitting



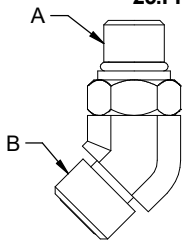
Fitting End A & B		O-Ring		Fitting End C		O-Ring	
SAE Fitting Size	Thread Size	AS568A Dash #	VPI Part #	SAE Fitting Size	Thread Size	AS568A Dash #	VPI Part #
-04	9/16-18	011	26.0044	-04	9/16-18	-	-
-06	11/16-16	012	26.0025	-06	11/16-16	-	-
-08	13/16-16	014	26.0009	-08	13/16-16	-	-
-10	1-14	016	26.0023	-10	1-14	-	-
-12	1-3/16-12	018	26.0045	-12	1-3/16-12	-	-
-16	1-7/16-12	021	26.0046	-16	1-7/16-12	-	-

### 25.FF6801-(xx)-(xx) Fitting



Fitting End A		O-Ring		Fitting End B		O-Ring	
SAE Fitting Size	Thread Size	AS568A Dash #	VPI Part #	SAE Fitting Size	Thread Size	AS568A Dash #	VPI Part #
-04	7/16-20	904	26.0035	-04	9/16-18	011	26.0044
-06	9/16-18	906	26.0036	-06	11/16-16	012	26.0025
-08	3/4-16	908	26.0037	-08	13/16-16	014	26.0009
-10	7/8-14	910	26.0038	-10	1-14	016	26.0023
-12	1-1/16-12	912	26.0039	-12	1-3/16-12	018	26.0045
-16	1-5/16-12	916	26.0043	-16	1-7/16-12	021	26.0046

### 25.FF6802-(xx)-(xx) Fitting

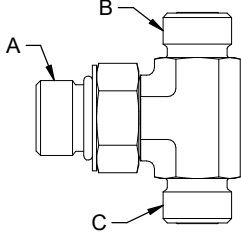


Fitting End A		O-Ring		Fitting End B		O-Ring	
SAE Fitting Size	Thread Size	AS568A Dash #	VPI Part #	SAE Fitting Size	Thread Size	AS568A Dash #	VPI Part #
-04	7/16-20	904	26.0035	-04	9/16-18	011	26.0044
-06	9/16-18	906	26.0036	-06	11/16-16	012	26.0025
-08	3/4-16	908	26.0037	-08	13/16-16	014	26.0009
-10	7/8-14	910	26.0038	-10	1-14	016	26.0023
-12	1-1/16-12	912	26.0039	-12	1-3/16-12	018	26.0045
-16	1-5/16-12	916	26.0043	-16	1-7/16-12	021	26.0046

# PARTS

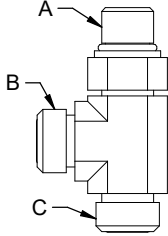
## Fitting Chart

**25.FF6803-(x)-(x)-(x) Fitting**



Fitting End A		O-Ring		Fitting End B & C		O-Ring	
SAE Fitting Size	Thread Size	AS568A Dash #	VPI Part #	SAE Fitting Size	Thread Size	AS568A Dash #	VPI Part #
-04	7/16-20	904	26.0035	-04	9/16-18	011	26.0044
-06	9/16-18	906	26.0036	-06	11/16-16	012	26.0025
-08	3/4-16	908	26.0037	-08	13/16-16	014	26.0009
-10	7/8-14	910	26.0038	-10	1-14	016	26.0023
-12	1-1/16-12	912	26.0039	-12	1-3/16-12	018	26.0045
-16	1-5/16-12	916	26.0043	-16	1-7/16-12	021	26.0046

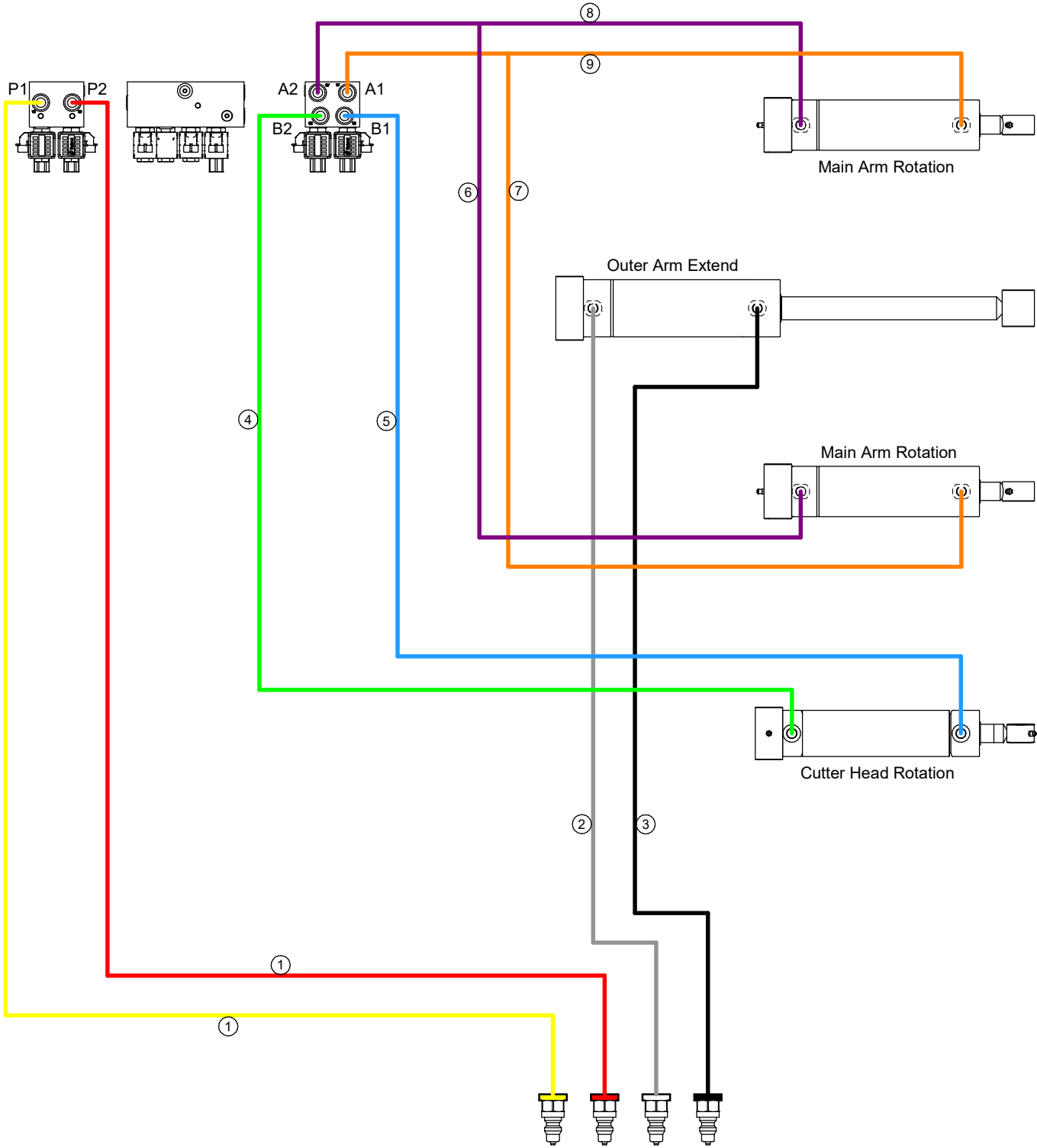
**25.FF6804-(x)-(x)-(x) Fitting**



Fitting End A		O-Ring		Fitting End B & C		O-Ring	
SAE Fitting Size	Thread Size	AS568A Dash #	VPI Part #	SAE Fitting Size	Thread Size	AS568A Dash #	VPI Part #
-04	7/16-20	904	26.0035	-04	9/16-18	011	26.0044
-06	9/16-18	906	26.0036	-06	11/16-16	012	26.0025
-08	3/4-16	908	26.0037	-08	13/16-16	014	26.0009
-10	7/8-14	910	26.0038	-10	1-14	016	26.0023
-12	1-1/16-12	912	26.0039	-12	1-3/16-12	018	26.0045
-16	1-5/16-12	916	26.0043	-16	1-7/16-12	021	26.0046

# PARTS

## ILLUSTRATED DRAWING Hydraulic Diagram - Arm & Cutter Bar Rotation





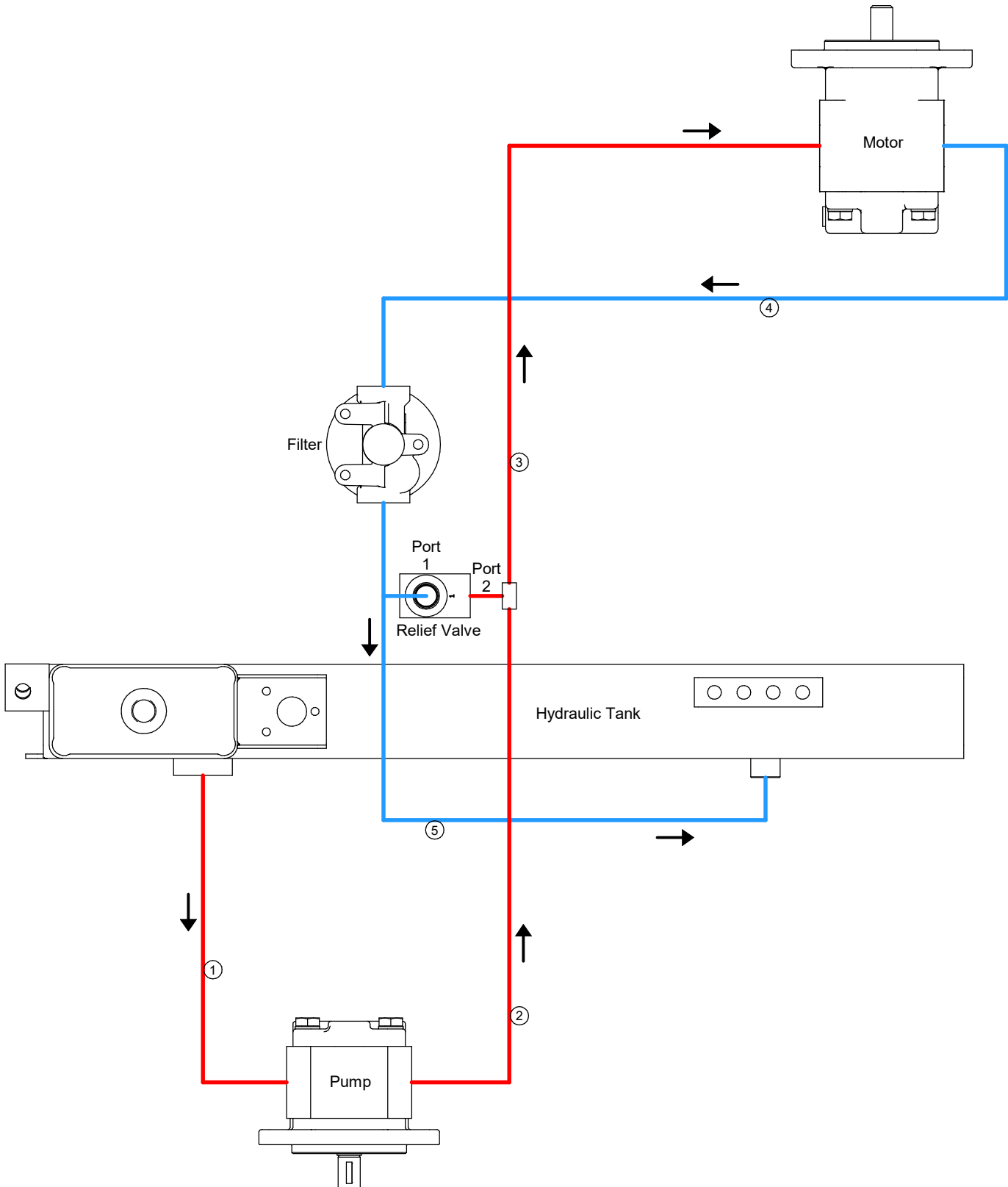
# PARTS

## Hydraulic Diagram - Arm & Cutter Bar Rotation

REF.	PART NO.	DESCRIPTION	QTY.
1	20.0348	.Hose, 1/4x72.00 SAE 100R17AR.	2
2	20.0349	.Hose, 1/4x132.00 SAE 100R17AR.	1
3	20.0350	.Hose, 1/4x136.00 SAE 100R17AR.	1
4	20.0353	.Hose, 1/4x27.00 SAE 100R17AR.	1
5	20.0354	.Hose, 1/4x37.00 SAE 100R17AR.	1
6	20.0356	.Hose, 1/4x14.00 SAE 100R17AR.	1
7	20.0355	.Hose, 1/4x23.00 SAE 100R17AR.	1
8	20.0351	.Hose, 1/4x20.00 SAE 100R17AR.	1
9	20.0352	.Hose, 1/4x15.00 SAE 100R17AR.	1

# PARTS

## ILLUSTRATED DRAWING Hydraulic Diagram - Blade Drive



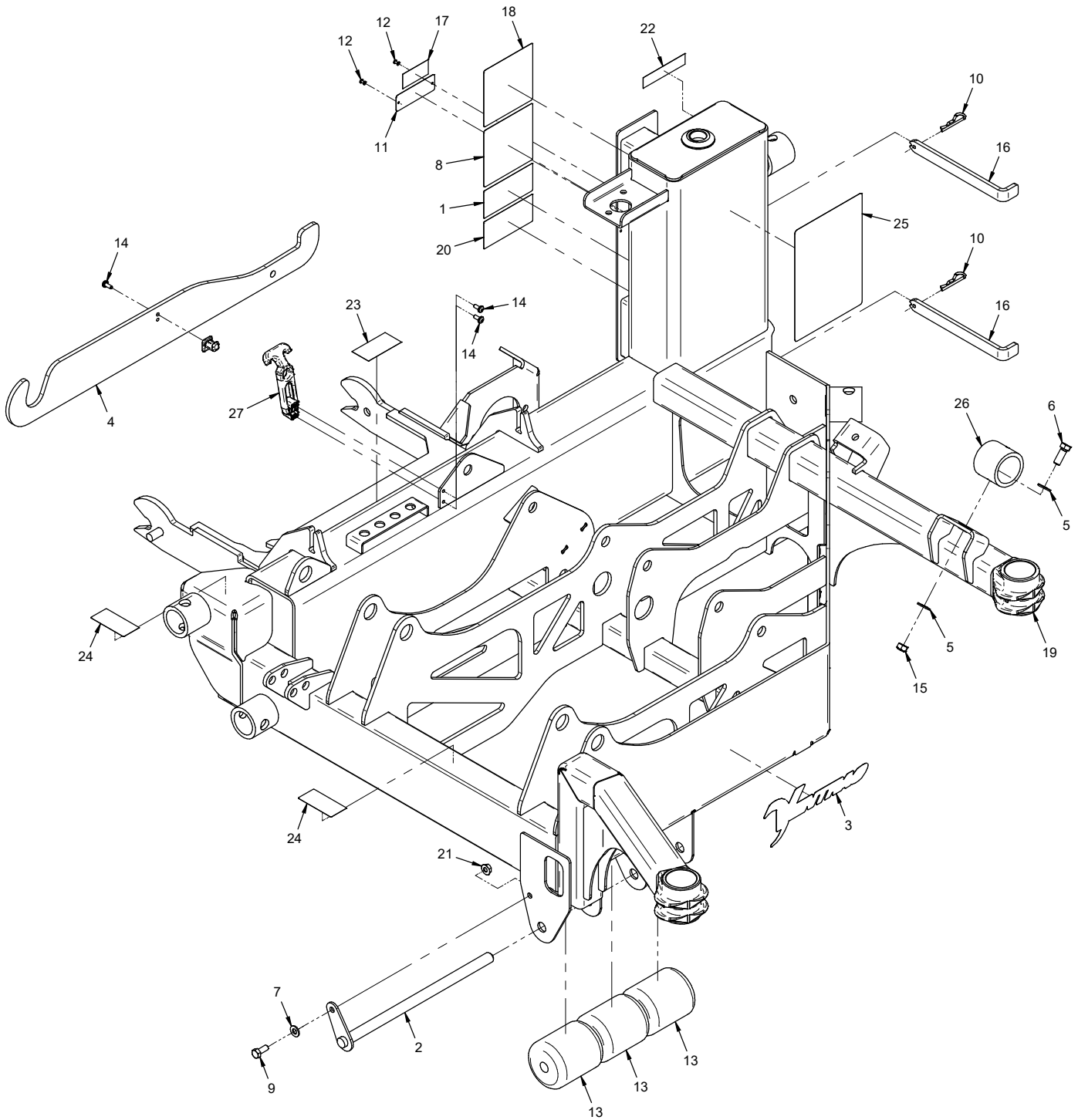
# PARTS

## Hydraulic Diagram - Blade Drive

REF.	PART NO.	DESCRIPTION	QTY.
1	20.0360	Hose, 3/4x19.00 SAE 100R4 EX FLEX	1
2	20.0361	Hose, 3/8x16.00 SAE 100R17AR	1
3	20.0357	Hose, 3/8x180.00 SAE 100R19AR	1
4	20.0358	Hose, 1/2x177.00 SAE 100R19AR	1
5	20.0359	Hose, 1/2x36.00 SAE 100R17AR	1

# PARTS

## ILLUSTRATED DRAWING Main Frame & Front Rollers



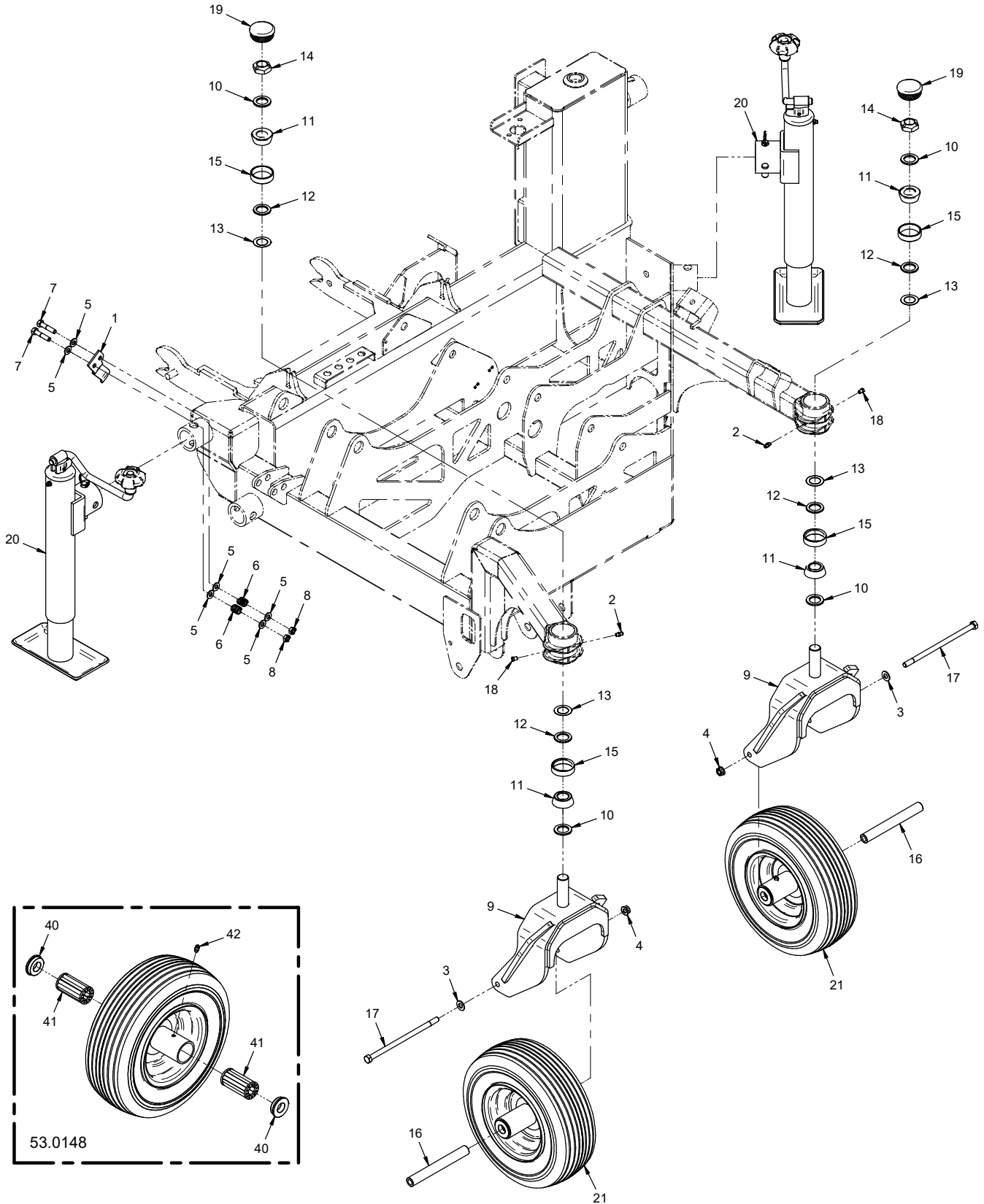
# PARTS

## Main Frame & Front Rollers

REF.	PART NO.	DESCRIPTION	QTY.
1	00.0217	.Decal, Warning Read Owners Man	1
2	MA-6027	.Pin, Roller Retainer	1
3	00.0383	.Decal, Ventrac	1
4	MA-1438	.Link, Lockout	1
5	95.06	.Washer, Flat 3/8 SAE	2
6	90.0608	.Bolt, 3/8-16 USS x 1	1
7	95.05	.Washer, Flat 5/16 SAE	1
8	00.0102	.Decal, Danger - Pinching Hazard	1
9	90.0506	.Bolt, 5/16-18 USS x 3/4	1
10	02.HP0416	.Hairpin, 1/8 X 2	2
11	N/A	.Plate, Ventrac Serial Number	1
12	04.0029	.Rivet, Pop 1/8" X 1/4" SS	2
13	50.0047	.Roller, Front 3" Dia X 3-1/2"	3
14	99.K0072	.Machine Screw, 10-24 X 1/2 ZP	3
15	99.A06	.Locknut, Stover 3/8-16 USS	1
16	MA-1380	.Pin, Weight Keeper	2
17	00.0100	.Decal, Made In USA	1
18	00.0103	.Decal, Hazard - High Press. Fluid	1
19	MA-6000	.Frame, Main MA900	1
20	00.0220	.Decal, General Safety	1
21	99.SF05	.Nut, SRF 5/16-18 USS	1
22	00.0148	.Decal, Hyd. Oil 3-7/16 x 3/4	1
23	00.0216	.Decal, Warning Moving Parts	1
24	00.0218	.Decal, Warning Pinch Point	2
25	00.0495	.Decal, Maintenance MA	1
26	05.0137	.Bumper, Elastomer 475 Lbs PF	1
27	47.0127	.Latch, Rubber Draw T-Handle	1

# PARTS

## ILLUSTRATED DRAWING Caster Wheels & Jack Stands



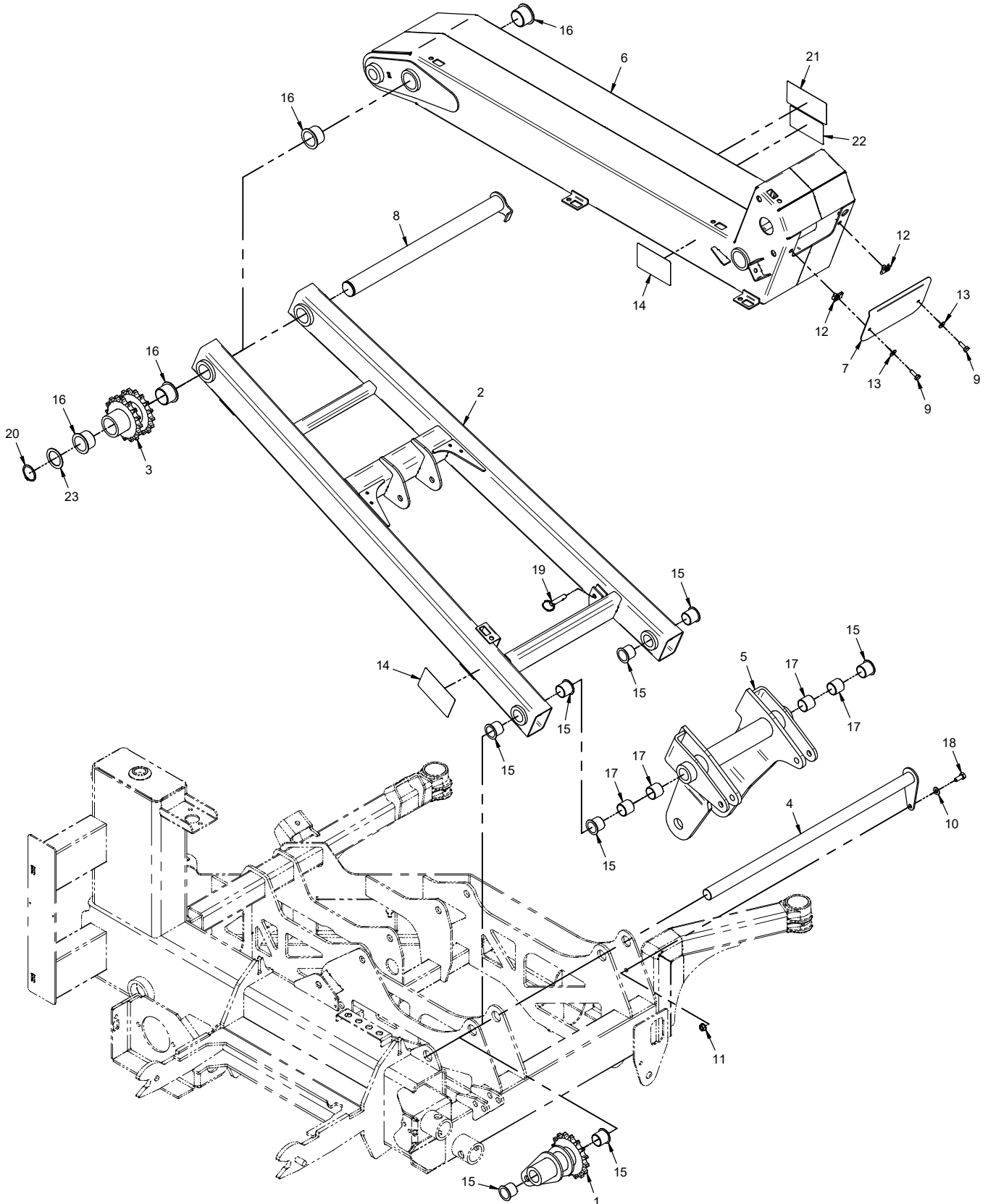
# PARTS

## Caster Wheels & Jack Stands

REF.	PART NO.	DESCRIPTION	QTY.
1	MA-1501	.Latch, Jack Handle	1
2	29.GF0001	.Grease Ftg, 1/4 SAE ST	2
3	95.06	.Washer, Flat 3/8 SAE	2
4	99.E0082	.Nut, Locking Flange 3/8-16	2
5	95.05	.Washer, Flat 5/16 SAE	6
6	41.0039	.Spring, Comp. 9/16 OD X 5/8	2
7	90.0512	.Bolt, 5/16-18 USS x 1-1/2	2
8	99.A05	.Locknut, Stover 5/16-18 USS	2
9	MA-6037	.Yoke, Caster 13" Heavy	2
10	99.B0119	.Washer, Mach 7/8 x 1-3/8 x 10 GA	4
11	55.LM12749LA2	.Bearing, Taper Roller Cone	4
12	85.B0099	.Bushing, .875ID x 1.375OD x .120T	4
13	85.B0101	.Bushing, .005 Spacer	4
14	99.M0047	.Locknut, Stover M22 X 1.5 ZP	2
15	55.LM12710	.Bearing, Cup	4
16	50.0050	.Tube, Swivel Axle	2
17	90.0660	.Bolt, 3/8-16 USS x 7-1/2	2
18	29.GF0011	.Grease Ftg, Plug 1/4-28	2
19	05.0172	.Plug, Ribbed Black LDPE	2
20	47.0428	.Jack, Trailer Swivel Topwind	2
21	53.0148	.Wheel, Asm 13x5x6 Rib Flatfree	2
40	55.0072	.Bearing, Retainer 3/4"	2
41	55.0088	.Bearing, Roller Replacement	2
42	29.GF0001	.Grease Ftg, 1/4 SAE ST	1

# PARTS

## ILLUSTRATED DRAWING Main Arm Frame, Main Arm Pivots, & Outer Arm Frame





# PARTS

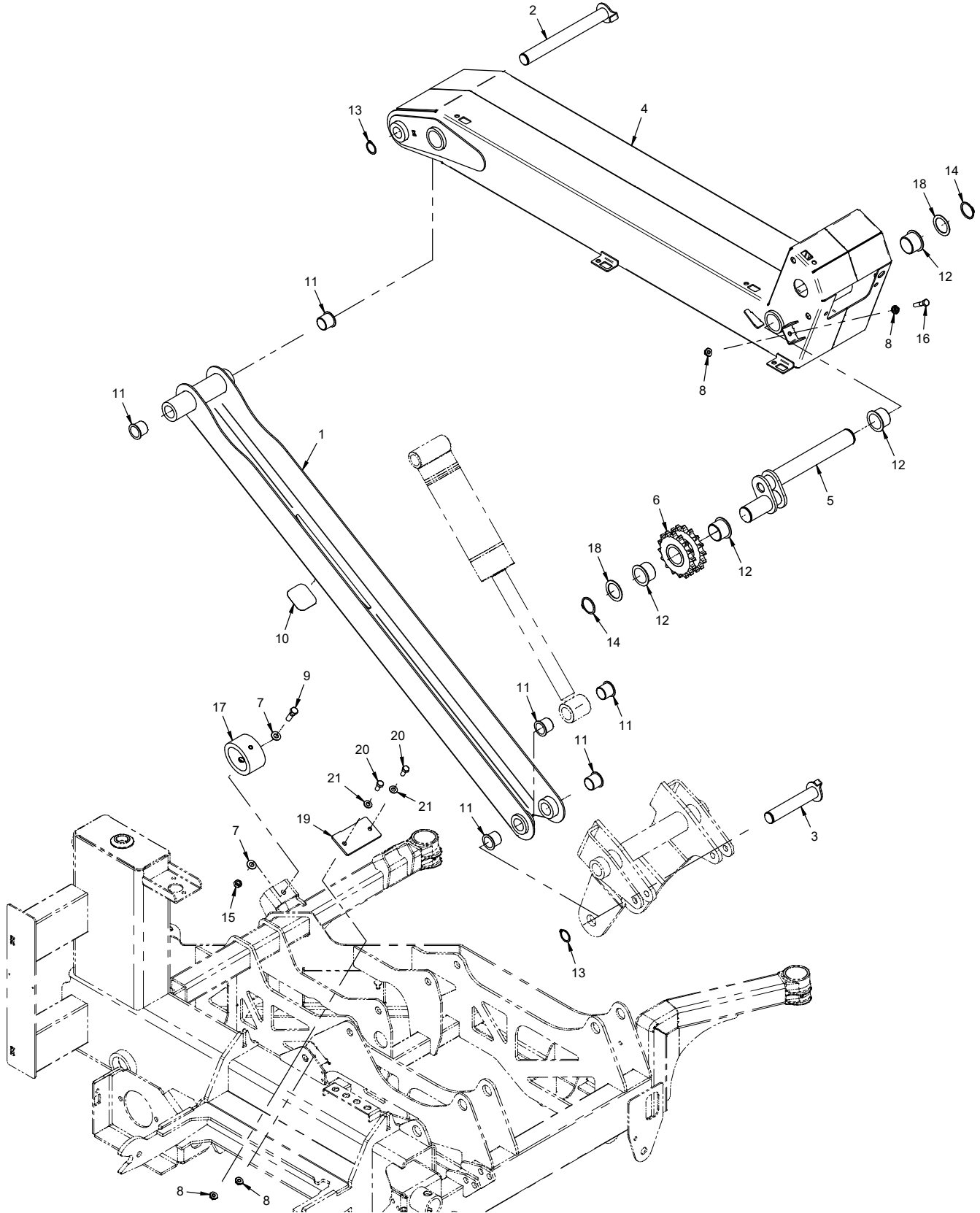
## Main Arm Frame, Main Arm Pivots, & Outer Arm Frame

REF.	PART NO.	DESCRIPTION	QTY.
1	MA-6026	Sprocket, Base Rocker	1
2	MA-6004	Frame, Main Arm	1
3	MA-6015	Sprocket, Double Inner	1
4	MA-6001	Pin, Main Pivot	1
5	MA-6002	Rocker, Main Pivot	1
6	MA-6005	Frame, Outer Arm	1
7	MA-1419	Cover, Cutter Head Pivot	1
8	MA-6006	Pin, Boom Pivot	1
9	90.0406	Bolt, 1/4-20 USS x 3/4	2
10	95.05	Washer, Flat 5/16 SAE	1
11	99.SF05	Nut, SRF 5/16-18 USS	1
12	99.E0046	Nut, "U" 1/4-20 Extruded	2
13	95.04	Washer, Flat 1/4 SAE	2
14	00.0492	Decal, Shield Missing	2
15	85.B0102	Bushing, 1.000 ID x 1.125 OD x 1 L	8
16	85.B0103	Bushing, 1.375 ID x 1.531 OD x 1 L	4
17	85.B0104	Bushing, 1.000 ID x 1.125 OD x 1 L	4
18	90.0506	Bolt, 5/16-18 USS x 3/4"	1
19	03.0006	Pin, Ball 3/8 X 1"	1
20	04.0043	Snap Ring, Ext. 1-3/8" Shaft .05 W	1
21	00.0494	Decal, Keep Clear MA900	1
22	00.0493	Decal, Frame Pinch Point	1
23	99.B0135	Shim, 1-3/8 ID x 1-7/8 OD x .06 SS	1

# PARTS

## ILLUSTRATED DRAWING

### Outer Arm Pivots, Top Link Arm, & Eccentric Rocker Pin



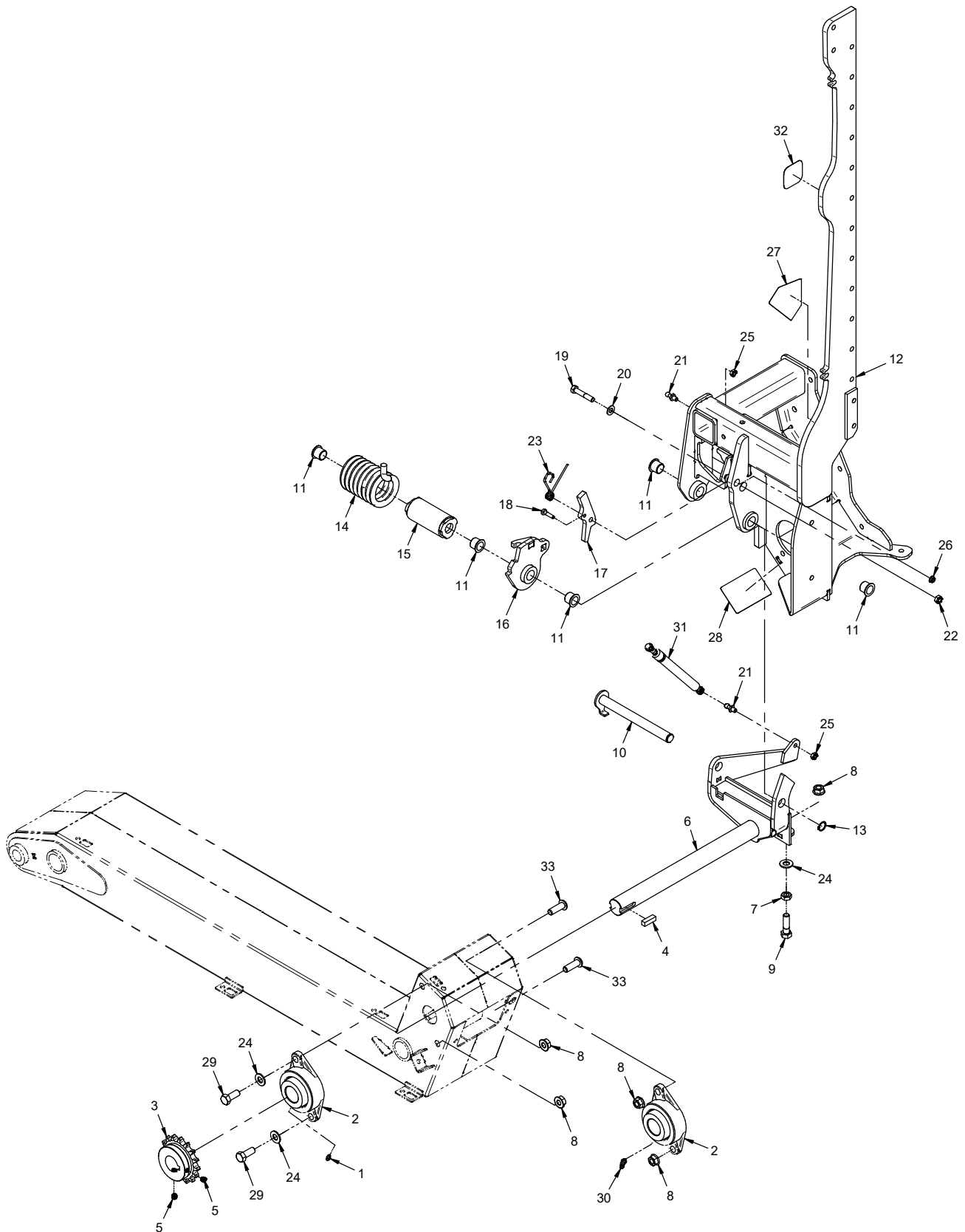
# PARTS

## Outer Arm Pivots, Top Link Arm, & Eccentric Rocker Pin

REF.	PART NO.	DESCRIPTION	QTY.
1	MA-6007	.Frame, top link	1
2	MA-6009	.Pin, Boom Pivot Upper	1
3	MA-6008	.Pin, Linkage Pivot Lower	1
4	MA-6005	.Frame, Outer Arm	1
5	MA-6013	.Rocker, Eccentric Pin	1
6	MA-6014	.Sprocket, Double Outer	1
7	95.06	.Washer, Flat 3/8 SAE	2
8	99.SF05	.Nut, SRF 5/16-18 USS	4
9	90.0610	.Bolt, 3/8-16 USS x 1-1/4	1
10	00.0501	.Decal, Wear Resistant	1
11	85.B0102	.Bushing, 1.000 ID x 1.125 OD x 1 L	6
12	85.B0103	.Bushing, 1.375 ID x 1.531 OD x 1 L	4
13	04.0016	.Snap Ring, Ext.1 Shft .042 Thk	2
14	04.0043	.Snap Ring, Ext. 1-3/8" Shaft .05 W	2
15	99.A06	.Locknut, Stover 3/8-16 USS	1
16	90.0512	.Bolt, 5/16-18 USS x 1-1/2	1
17	05.0169	.Bumper, Elastomer 1300 Lbs PF	1
18	99.B0135	.Shim, 1-3/8 ID x 1-7/8 OD x .06 SS	as required
19	MA-1147	.Plate, Pivot Stop (Serial # 01461 -)	1
20	90.0506	.Bolt, 5/16-18 USS x 3/4 (Serial # 01461 -)	2
21	95.05	.Washer, Flat 5/16 SAE (Serial # 01461 -)	2

# PARTS

## ILLUSTRATED DRAWING Cutter Head Pivot, Cutter Bar Frame & Pivot



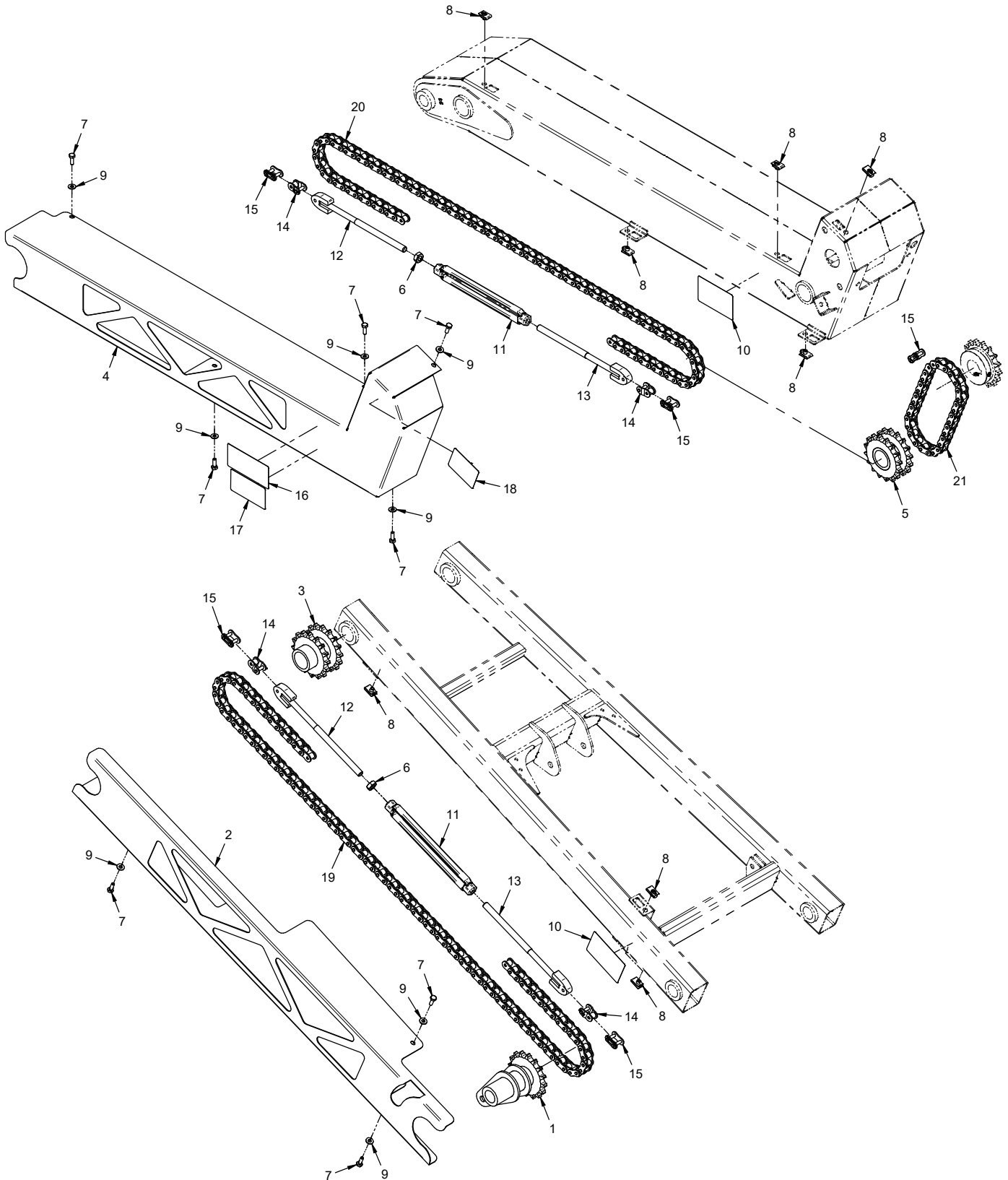
# PARTS

## Cutter Head Pivot, Cutter Bar Frame & Pivot

REF.	PART NO.	DESCRIPTION	QTY.
1	29.GF0001	.Grease Ftg, 1/4 SAE ST	7
2	55.FB16023	.Bearing, Flange Block 1-7/16"	2
3	83.601623	.Sprocket, #60 16-T 1-7/16" Bore	1
4	85.K0610	.Key, 3/8 X 1-1/4	1
5	85.SS21	.Set Screw, 3/8-16 x 3/8	2
6	MA-6010	.Mount, Cutter Head	1
7	99.E0058	.Nut, Jam 1/2-13 USS	1
8	99.SF08	.Nut, SRF 1/2-13 USS	5
9	90.0814	.Bolt, 1/2-13 USS x 1-3/4	1
10	MA-6023	.Pin, Head Pivot	1
11	85.B0105	.Bushing, .750 ID x .875 OD x .689 L	5
12	MA-6016	.Frame, Cutter Bar	1
13	04.0045	.Snap Ring, Ext. 3/4" Shaft .042 W	1
14	41.0121	.Spring, Torsion MA900	1
15	MA-6019	.Bushing, Spring Drum	1
16	MA-6020	.Retainer, Spring Latch	1
17	MA-1406	.Latch, Spring	1
18	90.0408	.Bolt, 1/4-20 USS x 1	1
19	90.0616	.Bolt, 3/8-16 USS x 2	1
20	95.06	.Washer, Flat 3/8 SAE	1
21	47.0225	.Stud, Ball 10mm 5/16-18 Thread	2
22	99.A06	.Locknut, Stover 3/8-16 USS	1
23	41.0124	.Spring, Torsion 0.41 X 3-1/4	1
24	95.08	.Washer, Flat 1/2 SAE	3
25	99.A05	.Locknut, Stover 5/16-18 USS	2
26	99.SF04	.Nut, SRF 1/4-20 USS	1
27	00.0123	.Decal, Keep Hands & Feet Clear	1
28	00.0492	.Decal, Shield Missing	1
29	90.0810	.Bolt, 1/2-13 USS x 1-1/4	2
30	29.GF0002	.Grease Ftg, 1/4 SAE 90	1
31	47.0440	.Damper, Hydraulic 12.795"	1
32	00.0501	.Decal, Wear Resistant	1
33	99.0812	.Bolt, 1/2-13 x 1-1/2 BSCS	2

# PARTS

## ILLUSTRATED DRAWING Cutter Head Rotation Chains



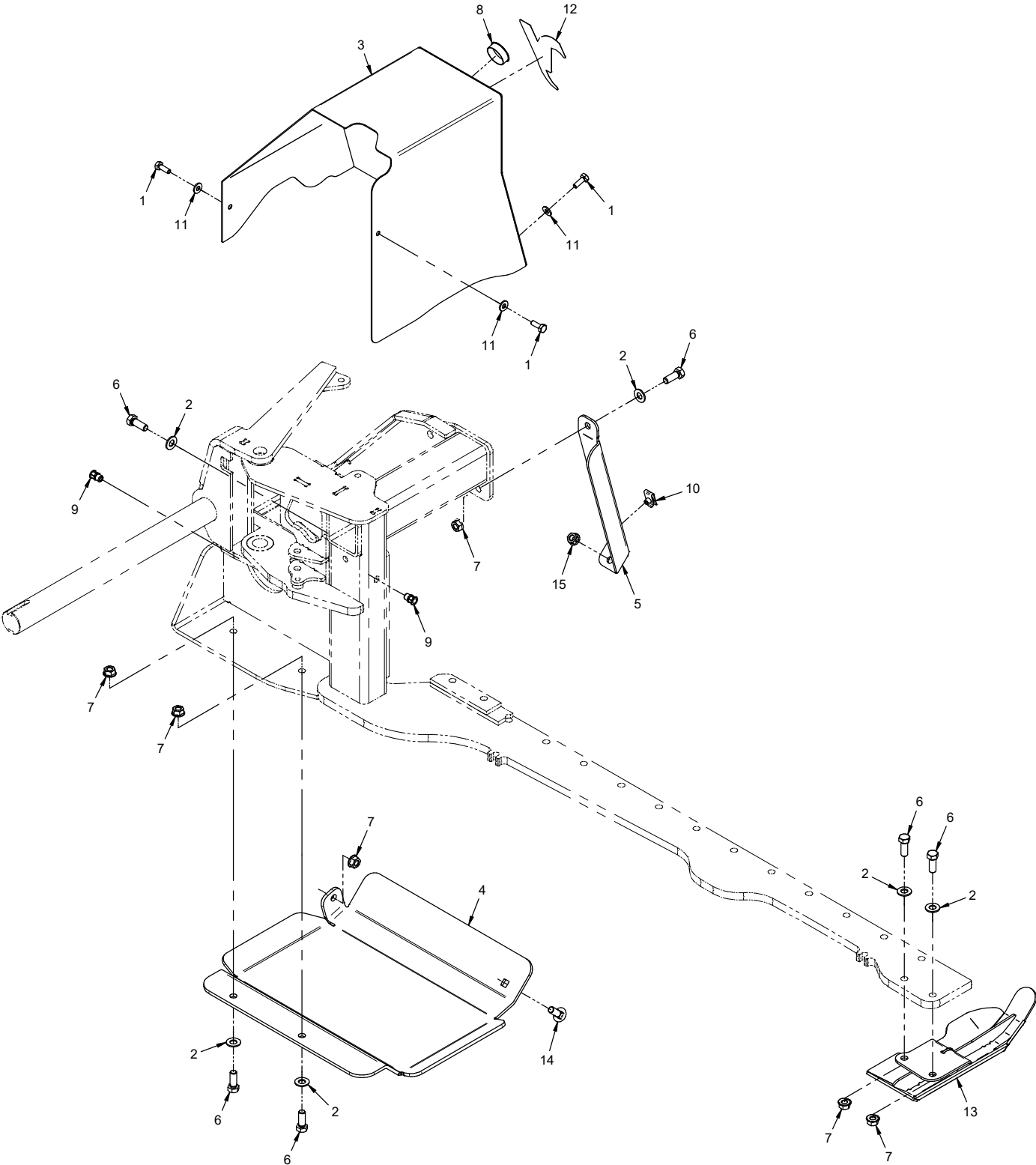
# PARTS

## Cutter Head Rotation Chains

REF.	PART NO.	DESCRIPTION	QTY.
1	MA-6026	.Sprocket, Base Rocker	1
2	MA-1402	.Guard, Chain Main Arm	1
3	MA-6015	.Sprocket, Double Inner	1
4	MA-1401	.Guard, Chain Outer Arm	1
5	MA-6014	.Sprocket, Double Outer	1
6	99.E0058	.Nut, Jam 1/2-13 USS	2
7	90.0406	.Bolt, 1/4-20 USS x 3/4	8
8	99.E0046	.Nut, "U" 1/4-20 Extruded	8
9	95.04	.Washer, Flat 1/4 SAE	8
10	00.0492	.Decal, Shield Missing	2
11	47.0441	.Turnbuckle, 1/2-13 x 10.875	2
12	MA-6032	.1/2-13 Turnbuckle RH	2
13	MA-6033	.1/2-13 Turnbuckle LH	2
14	81.0077	.Link, Half #60	4
15	81.0024	.Link, Connector #60	5
16	00.0494	.Decal, Keep Clear MA900	1
17	00.0493	.Decal, Frame Pinch Point	1
18	00.0496	.Decal, Do Not Submerge	1
19	81.0175	.Chain, Roller #60 x 71-1/4"	1
20	81.0176	.Chain, Roller #60 x 68-1/4"	1
21	81.0177	.Chain, Roller #60 x 23-1/4"	1

# PARTS

## ILLUSTRATED DRAWING Cutter Head Cover & Cutter Bar Skid Plates





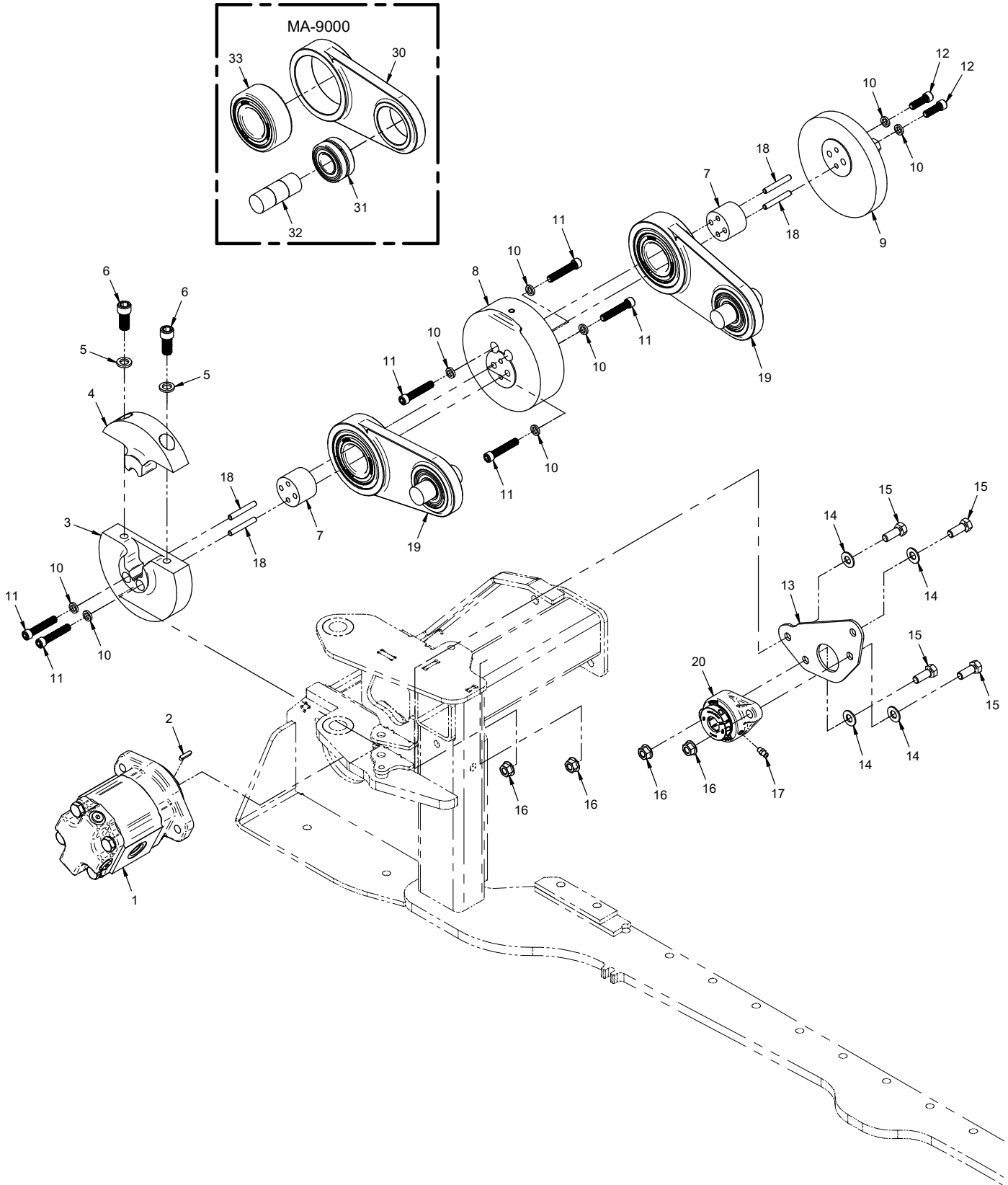
# PARTS

## Cutter Head Cover & Cutter Bar Skid Plates

REF.	PART NO.	DESCRIPTION	QTY.
1	90.0406	.Bolt, 1/4-20 USS x 3/4	3
2	95.06	.Washer, Flat 3/8 SAE	6
3	MA-6028	.Cover, Cutter Drive	1
4	MA-1473	.Plate, Skid	1
5	MA-1474	.Bracket, Skid Plate Support	1
6	90.0608	.Bolt, 3/8-16 USS x 1	6
7	99.SF06	.Nut, SRF 3/8-16 USS	6
8	05.0091	.Plug, 1-1/4" Hole, Blk Plastic	1
9	99.E0105	.Nut, Insert 1/4-20 Hex	2
10	99.E0046	.Nut, "U" 1/4-20 Extruded	1
11	95.04	.Washer, Flat 1/4 SAE	3
12	00.0192	.Decal, V-Decal Die Cut Blue	1
13	MA-6030	.Shoe, Skid	1
14	97.0608	.Bolt, Carriage 3/8-16 x 1	1
15	99.E0082	.Nut, Locking Flange 3/8-16	1

# PARTS

## ILLUSTRATED DRAWING Cutter Head Crankshaft



# PARTS

## Cutter Head Crankshaft

REF.	PART NO.	DESCRIPTION	QTY.
1	21.0136	.Motor, HYD Parker 16cc	1
2	85.K419A	.Key, 4MM x 19 Form A	1
3	MA-1351	.Crankshaft, Drive Plate	1
4	MA-1388	.Clamp, Crankshaft Drive Plate	1
5	96.07-2	.Washer, Nordlock 7/16"	2
6	99.K0158	.Bolt, SHCS 7/16-20 x 1 Grd 8	2
7	MA-1399	.Pin, Crankshaft Drive	2
8	MA-1350	.Crankshaft, Mid Plate	1
9	MA-1349	.Crankshaft, End Plate	1
10	96.05-2	.Washer, Nordlock 5/16"	8
11	99.K0157	.Bolt, SHCS 5/16-24 x 1-3/4 Grd 8	6
12	99.K0155	.Bolt, SHCS 5/16-24 x 1 Grd 8	2
13	MA-1293	.Plate, Bearing Mount	1
14	95.06	.Washer, Flat 3/8 SAE	4
15	90.0608	.Bolt, 3/8-16 USS x 1	4
16	99.SF06	.Nut, SRF 3/8-16 USS	4
17	29.GF0001	.Grease Ftg, 1/4 SAE ST	2
18	03.0031	.Pin, Dowel 1/4 x 1-3/4	4
19	MA-9000	.Link, Drive Assembly	2
20	55.FB16012-3	.Bearing, Flange Block 3/4" Grip-It	1
30	MA-1314	.Rod, Crankshaft	1
31	55.0105	.Bearing, Roller 25mm x 52mm x 23mm	1
32	MA-1394	.Shaft, Drive Link Pin	1
33	55.0104	.Bearing, Ball 40MM x 80MM x 30MM	1



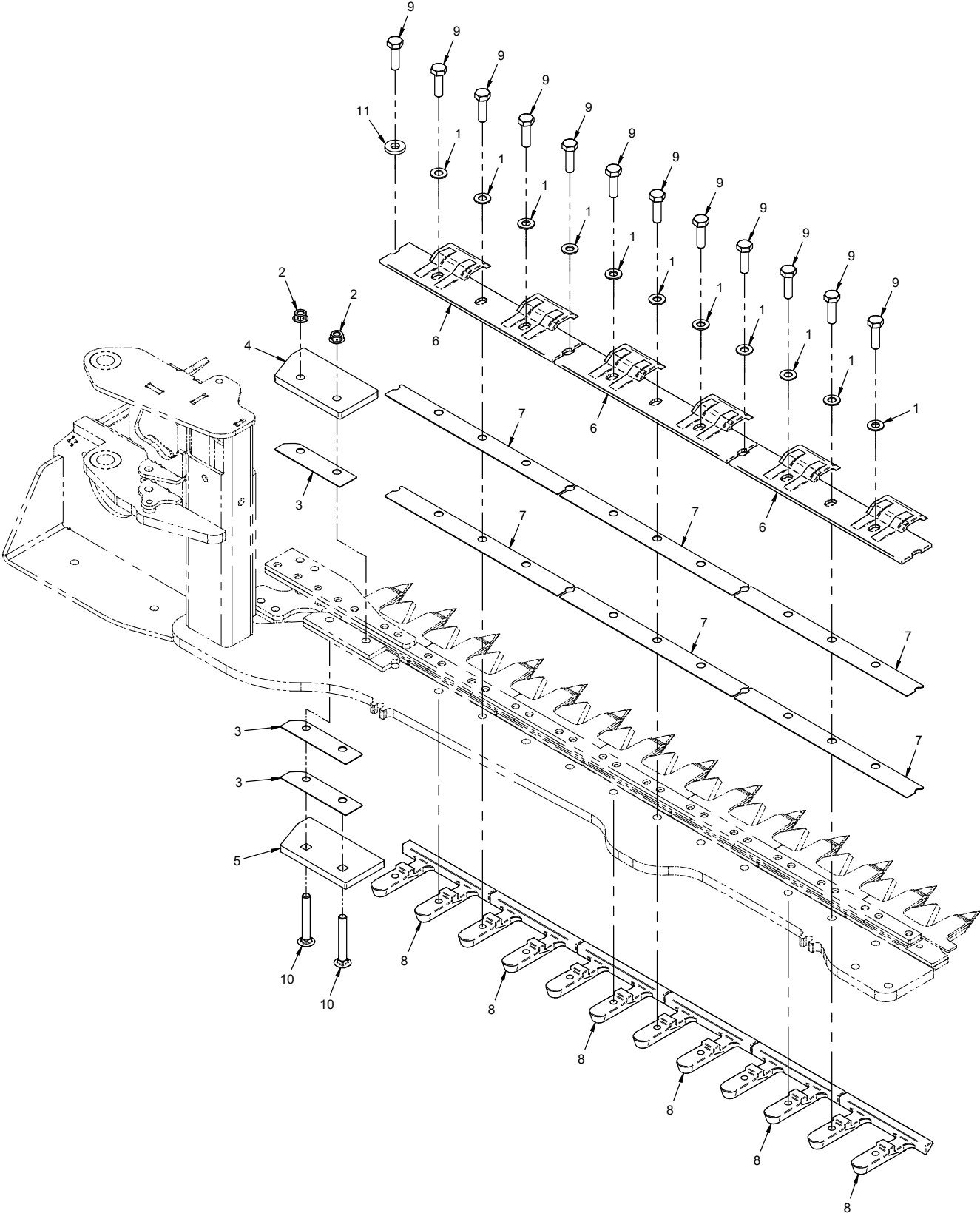
# PARTS

## Cutter Head Drive Link Rockers

REF.	PART NO.	DESCRIPTION	QTY.
1	96.05-2	.Washer, Nordlock 5/16"	16
2	MA-6025	.Pin, Top Pivot	1
3	MA-6024	.Rocker, Drive Link	2
4	MA-1392	.Clamp, Drive Cap	4
5	MA-1455	.Clamp, Cutter Cap	4
6	99.K0159	.Bolt, SHCS 5/16-24 x 2 Grade 8	16
7	95.06	.Washer, Flat 3/8 SAE	2
8	99.E0082	.Nut, Locking Flange 3/8-16	2
9	02.RP0804	.Roll Pin, 1/4 x 1/2	2
10	90.0608	.Bolt, 3/8-16 USS x 1	2
11	95.07	.Washer, Flat 7/16 SAE	1
12	90.0708	.Bolt, 7/16-14 USS x 1	1
13	99.B0136	.Shim, 1/2 ID x 3/4 OD x .02" T	as required
14	MA-9000	.Link, Drive Assembly	2
15	MA-9003	.Assembly, Drive Bearing Blade	1
16	MA-9002	.Assembly, Drive Bearing Guard	1
17	55.0106	.Bearing, Needle 25MM X 37MM X 17MM	4
30	MA-1314	.Rod, Crankshaft	1
31	MA-1394	.Shaft, Drive Link Pin	1
32	55.0104	.Bearing, Ball 40MM x 80MM x 30MM	1
33	55.0105	.Bearing, Roller 25mm x 52mm x 23mm	1
35	MA-1461	.Housing, Bearing Guard	1
36	55.0105	.Bearing, Roller 25mm x 52mm x 23mm	1
37	MA-1394	.Shaft, Drive Link Pin	1
40	MA-1457	.Housing, Bearing Blade	1
41	55.0105	.Bearing, Roller 25mm x 52mm x 23mm	1
42	MA-1394	.Shaft, Drive Link Pin	1

# PARTS

## ILLUSTRATED DRAWING Cutter Bar Guides



# PARTS

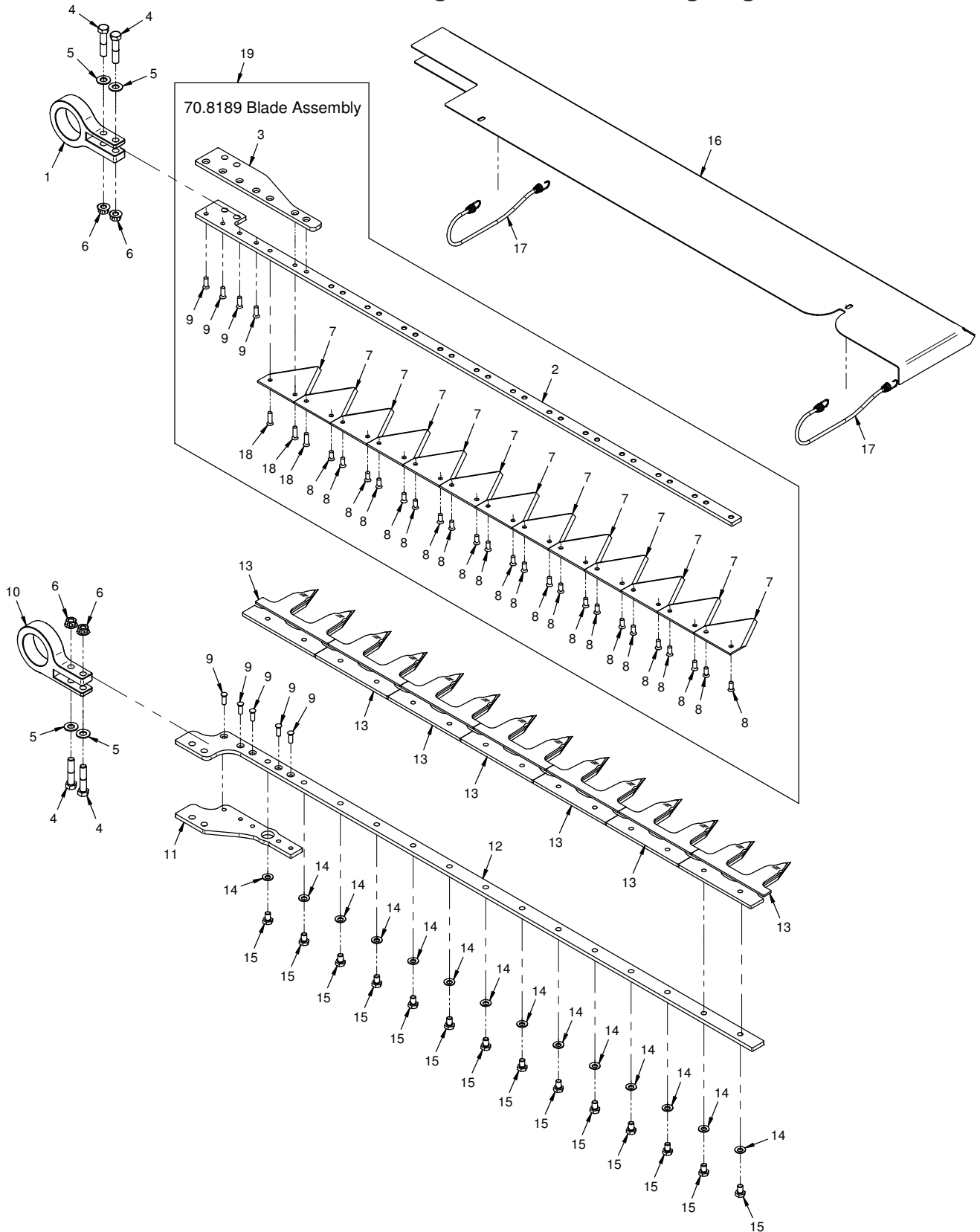
## Cutter Bar Guides

REF.	PART NO.	DESCRIPTION	QTY.
1	95.06	Washer, Flat 3/8 SAE	11
2	99.E0082	Nut, Locking Flange 3/8-16	2
3	MA-1479	Plate, Shim 20 GA SS	3
4	MA-1482	Clamp, Blade Drive Top	1
5	MA-1484	Clamp, Blade Drive Bottom	1
6	42.0588	Guide, Upper	3
7	MA-1429	Shim, Upper Guide	6
8	42.0589	Guide, Double Inner	6
9	99.M0017	Bolt, M10 X 1.5 X 35 MM	12
10	97.0622	Bolt, Carriage 3/8-16 x 2-3/4	2
11	99.G0014	Washer, 3/8 USS FW .165 Thk.	1

# PARTS

## ILLUSTRATED DRAWING

### Knife Blades, Double Finger Guards, & Cutting Edge Cover





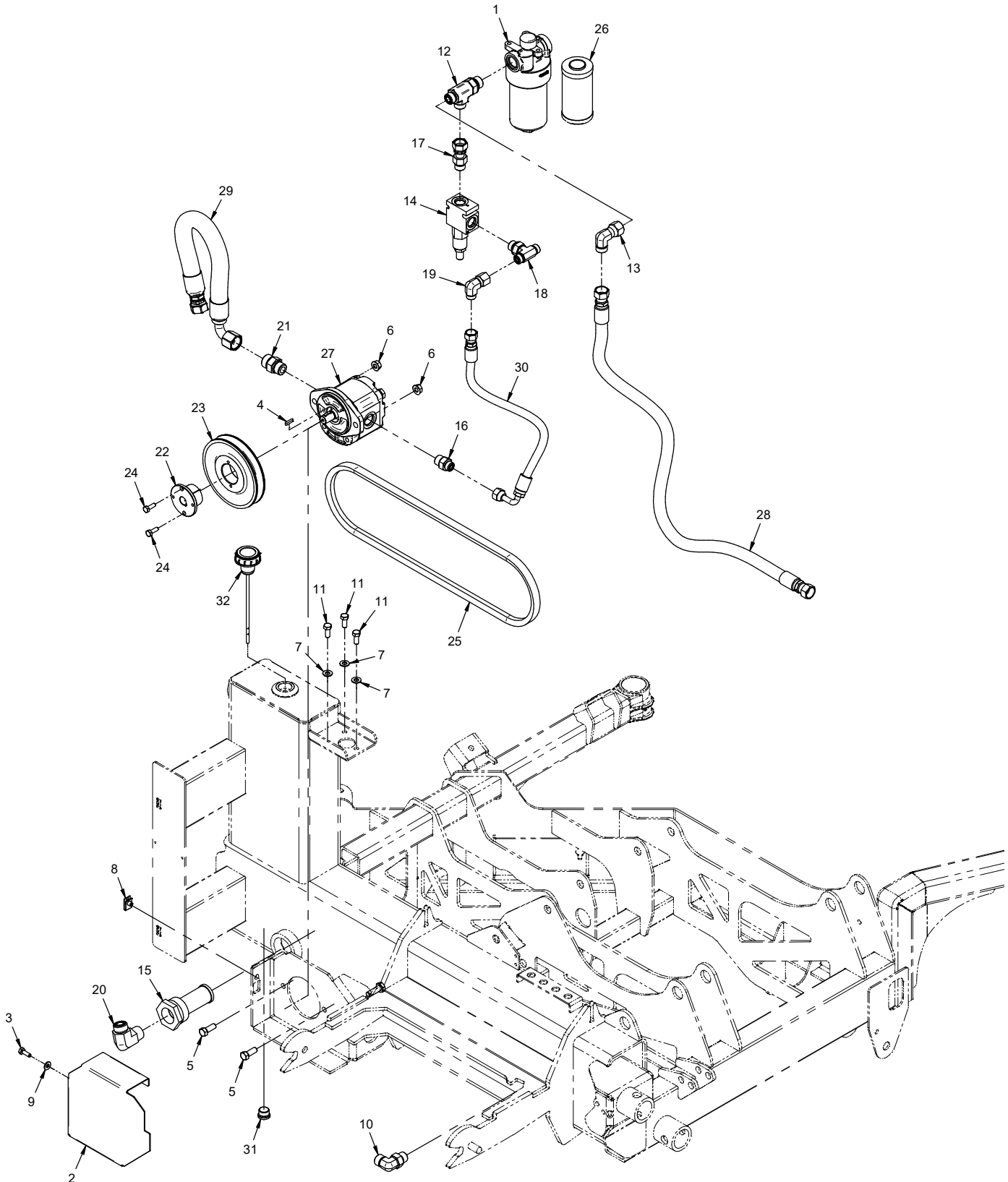
# PARTS

## Knife Blades, Double Finger Guards, & Cutting Edge Cover

REF.	PART NO.	DESCRIPTION	QTY.
1	MA-1457	.Housing, Bearing Blade	1
2	MA-1458	.Plate, Blade Mount	1
3	MA-1460	.Plate, Blade Drive	1
4	90.0614	.Bolt, 3/8-16 USS x 1-3/4	4
5	95.06	.Washer, Flat 3/8 SAE	4
6	99.E0082	.Nut, Locking Flange 3/8-16	4
7	79.0112	.Blade, Single Knife	13
8	04.0041	.Rivet, 6MM x 13MM Long	23
9	04.0046	.Rivet, 6MM x 16MM Long	9
10	MA-1461	.Housing, Bearing Guard	1
11	MA-1462	.Plate, Guard Drive	1
12	MA-1459	.Plate, Guard Mount	1
13	47.0412	.Guard, Double Finger	7
14	99.M0057	.Washer, French Lock M8	14
15	99.M0056	.Bolt, M8 x 1.0 x 12MM 10.9	14
16	MA-6029	.Cover, Cutting Edge	1
17	47.0425	.Bungee, Bellows Support	2
18	04.0042	.Rivet, 6MM x 19MM Long	3
19	70.8189	.Kit, Blade Asm. MA900	1

# PARTS

## ILLUSTRATED DRAWING Hydraulic Pump, Filter, & Relief Valve



# PARTS

## Hydraulic Pump, Filter, & Relief Valve

REF.	PART NO.	DESCRIPTION	QTY.
1	21.0137	.Filter, HYD ASM 25 Micron	1
2	MA-1492	.Cover, Belt Guard	1
3	90.0406	.Bolt, 1/4-20 USS x 3/4	1
4	85.K419A	.Key, 4MM x 19 Form A	1
5	90.0608	.Bolt, 3/8-16 USS x 1	2
6	99.SF06	.Nut, SRF 3/8-16 USS	2
7	95.05	.Washer, Flat 5/16 SAE	3
8	99.E0046	.Nut, "U" 1/4-20 Extruded	1
9	95.04	.Washer, Flat 1/4 SAE	1
10	25.FF6801-08-08	.Fitting, 90 Elbow 8MB x 8MFF	1
11	99.M0005	.Bolt, M8 X 1.25 P X 20MM Long	3
12	25.FF6804-8-10-8	.Fitting, M Tee 08MFF x 10MB x 08MFF	1
13	25.FF6500-08-08	.Fitting, 90 Elbow 8MFF x 8FSX	1
14	23.0185	.Valve, Relief 3600 PSI	1
15	21.0143	.Strainer, Hyd. 100 Mesh	1
16	25.FF6400-06-08	.Fitting, Connector 06MFF x 08MB	1
17	25.FF6402-08-08	.Fitting, Connector 08MB x 08FFF	1
18	25.FF6803-6-6-8	.Fitting, M Tee 06MFF x 06MFF x 08MB	1
19	25.FF6500-06-06	.Fitting, 90 Elbow 6MFF x 6FFS	1
20	25.FF2501-10-12	.Fitting, 90 ME 10MFF x 12MP	1
21	25.FF6400-10-10	.Fitting, Connector 10MFF x 10MB	1
22	83.H10	.Bushing, 5/8" H	1
23	83.BK55H	.Pulley, 5.5" H-Bushing	1
24	90.0406	.Bolt, 1/4-20 USS x 3/4	2
25	81.B049	.Belt, B49	1
26	21.0138	.Filter, Hyd Element 25 Micron	1
27	21.0135	.Pump, Hyd. Parker 4CC 5/8" Shaft	1
28	20.0359	.Hose, 1/2x36.00 SAE 100R17AR	1
29	20.0360	.Hose, 3/4x19.00 SAE 100R4 EX Flex	1
30	20.0361	.Hose, 3/8x16.00 SAE 100R17AR	1
31	25.6408-H-08	.Fitting, -08 MB x Hollow Allen	1
32	23.0127	.Dipstick, Asm 6-3/4"	1



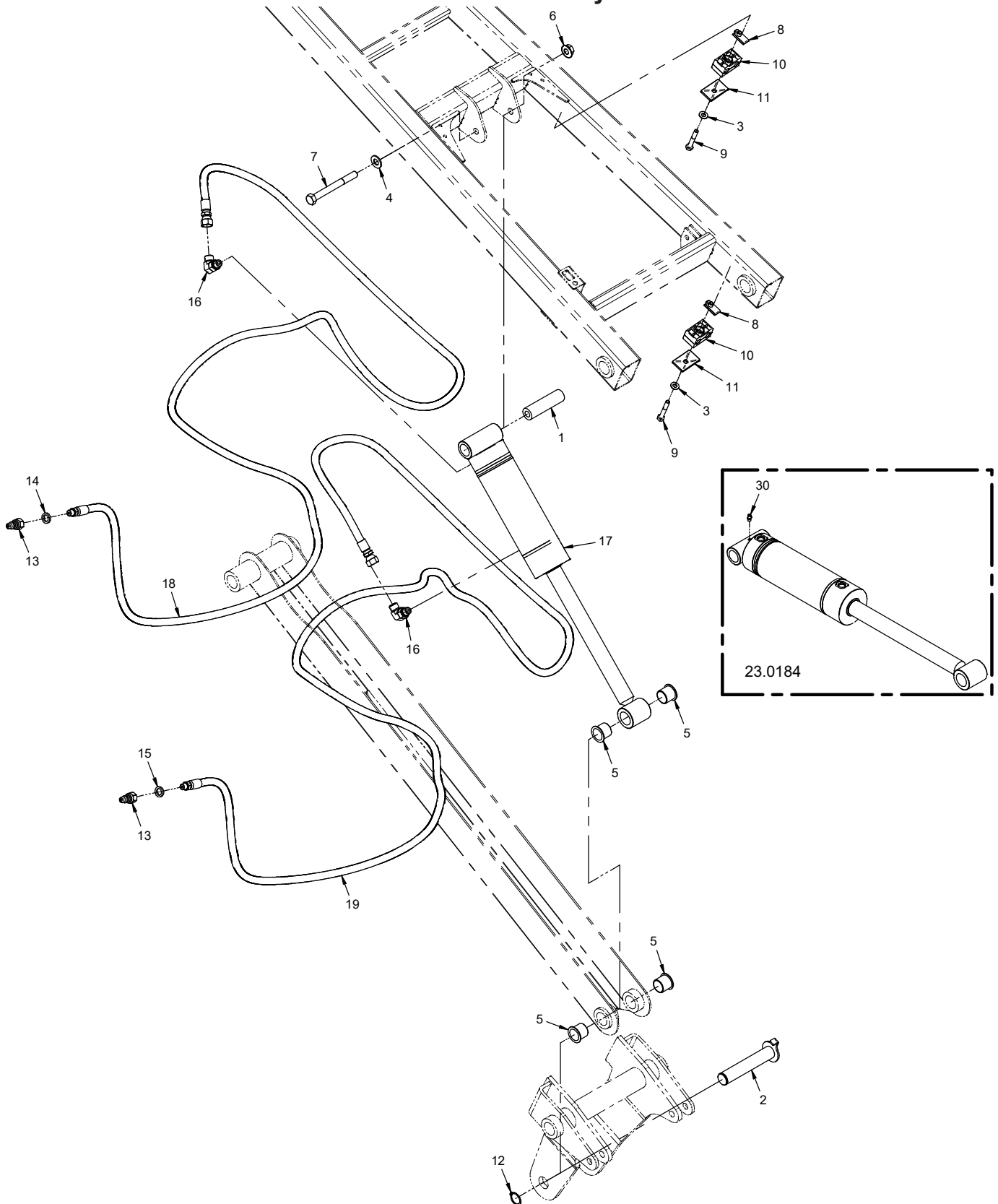
# PARTS

## Hydraulic Motor

REF.	PART NO.	DESCRIPTION	QTY.
1	21.0136	.Motor, HYD Parker 16cc	1
2	95.06	.Washer, Flat 3/8 SAE	2
3	99.SF06	.Nut, SRF 3/8-16 USS	2
4	95.05	.Washer, Flat 5/16 SAE	3
5	90.0610	.Bolt, 3/8-16 USS x 1-1/4	2
6	25.FF6801-08-08	.Fitting, 90 Elbow 8MB x 8MFF	1
7	25.FF6801-06-08	.Fitting, 90 Elbow 06MFF x 08MB	1
8	99.E0099	.Nut, "U" 5/16-18 Extruded	3
9	MA-1495	.Spacer, Hose Clamp	1
10	44.0400	.Clamp, Hyd Hose 21.3mm ID 2 Cavity (Set of 2)	3
11	44.0249	.Cover Plate, Group 3D (2 Cavity)	3
12	90.0520	.Bolt, 5/16-18 USS x 2-1/2	3
13	25.FF6801-08-10	.Fitting, 90 Elbow 08MFF x 10MB	1
14	25.FF6803-6-6-8	.Fitting, M Tee 06MFF x 06MFF x 08MB	1
15	06.0050-7IN	.Trim, Trim Loc 1/2 x 3/16 x 7"	1
16	20.0357	.Hose, 3/8x180.00 SAE 100R19AR	1
17	20.0358	.Hose, 1/2x177.00 SAE 100R19AR	1

# PARTS

## ILLUSTRATED DRAWING Outer Arm Extension Cylinder



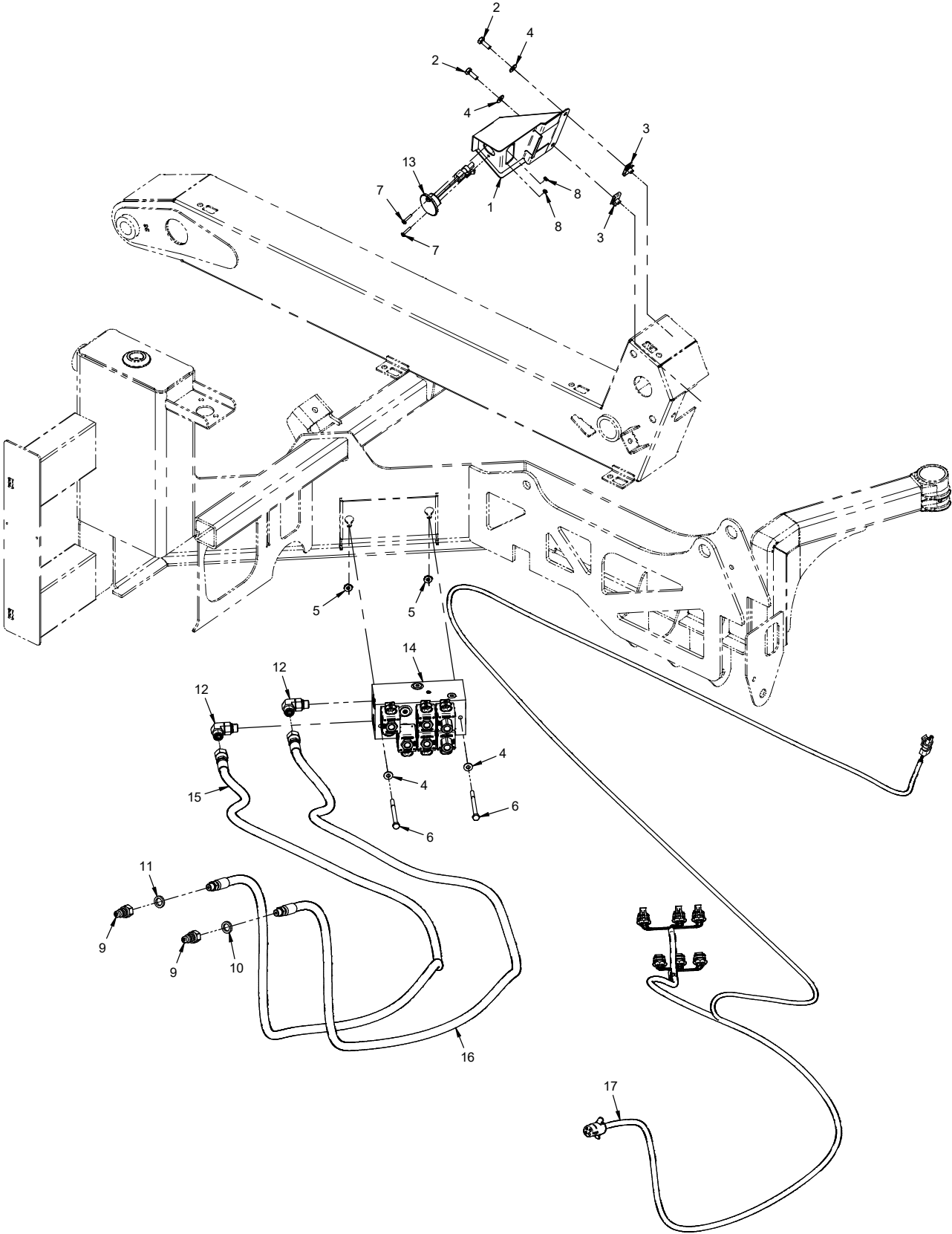
# PARTS

## Outer Arm Extension Cylinder

REF.	PART NO.	DESCRIPTION	QTY.
1	MA-1520	.Bushing, .510 ID x 1 OD x 3.625L	1
2	MA-6008	.Pin, Linkage Pivot Lower	1
3	95.05	.Washer, Flat 5/16 SAE	2
4	95.08	.Washer, Flat 1/2 SAE	1
5	85.B0102	.Bushing, 1.000 ID x 1.125 OD x 1 L	4
6	99.E0103	.Nut, Locking Flange 1/2-13	1
7	90.0838	.Bolt, 1/2-13 USS x 4-3/4	1
8	99.E0099	.Nut, "U" 5/16-18 Extruded	2
9	90.0516	.Bolt, 5/16-18 USS x 2	2
10	44.0256	.Clamp, Hyd Hose 12.7mm ID 2 Cavity (Set of 2)	2
11	44.0229	.Cover Plate, Group 2D (2 Cavity)	2
12	04.0016	.Snap Ring, Ext.1 Shft .042 Thk	1
13	23.0104	.Coupler, Quick Male 1/4	2
14	05.0156	.Washer, .544ID x .817 x 14 Nat	1
15	05.0157	.Washer, .544ID x .817 x 14 Blk	1
16	25.FF6801-06-06	.Fitting, 90 Elbow - 6MFF x 6MB	2
17	23.0184	.Cylinder, 2-3/4" x 6"	1
18	20.0349	.Hose, 1/4x132.00 SAE 100R17AR	1
19	20.0350	.Hose, 1/4x136.00 SAE 100R17AR	1
30	29.GF0001	.Grease Ftg, 1/4 SAE ST	1

# PARTS

## ILLUSTRATED DRAWING Boom Control Valve & Indicator Light





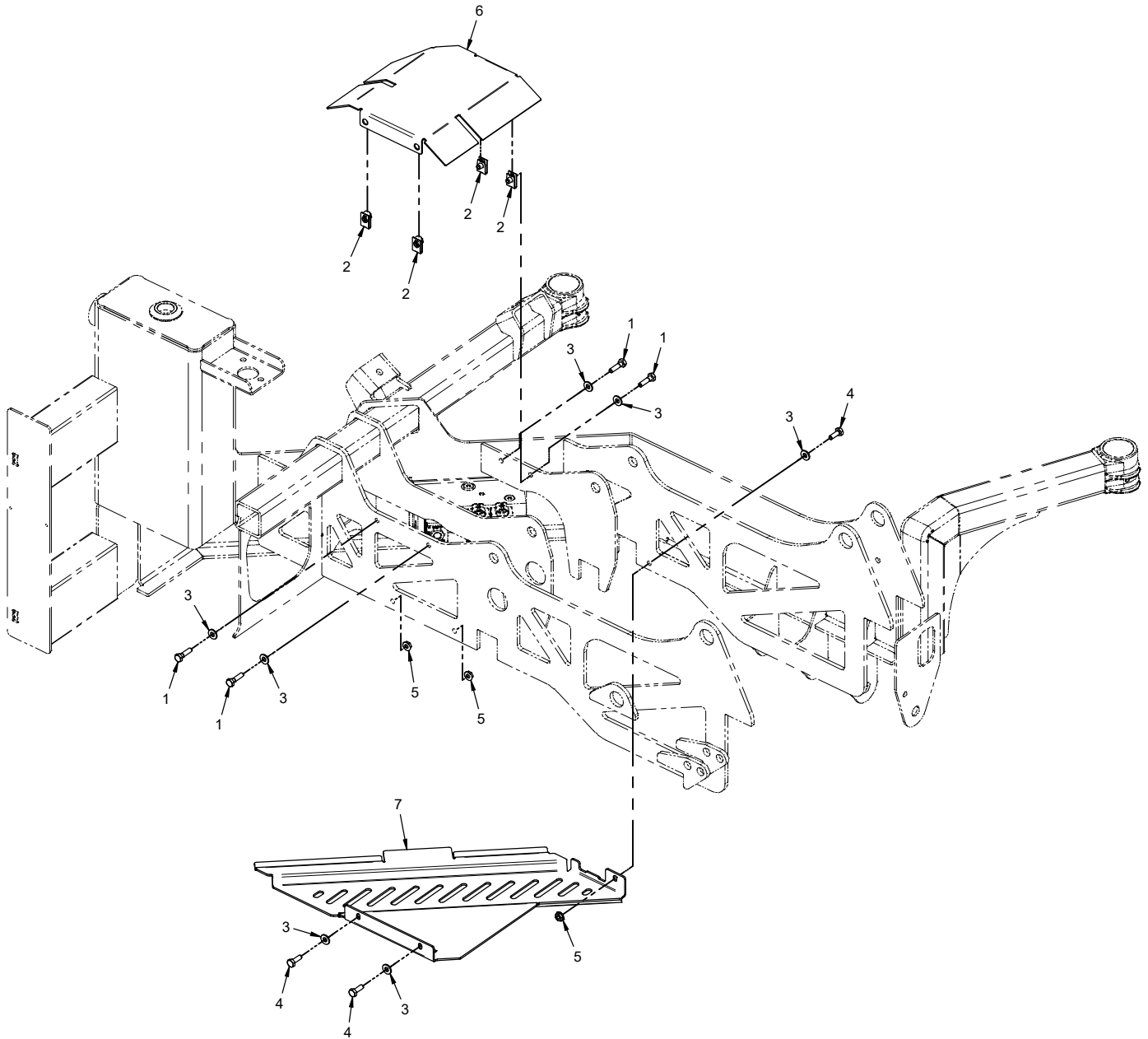
# PARTS

## Boom Control Valve & Indicator Light

REF.	PART NO.	DESCRIPTION	QTY.
1	MA-6017	.Mount, Indicator Light	1
2	90.0406	.Bolt, 1/4-20 USS x 3/4	2
3	99.E0046	.Nut, "U" 1/4-20 Extruded	2
4	95.04	.Washer, Flat 1/4 SAE	4
5	99.SF04	.Nut, SRF 1/4-20 USS	2
6	90.0424	.Bolt, 1/4-20 USS x 3	2
7	99.K0060	.Machine Screw, #6-32 X 3/4	2
8	99.E0085	.Locknut, Nylon #6-32	2
9	23.0104	.Coupler, Quick Male 1/4	2
10	05.0116	.Washer, .544 ID x .817 x .14 Red	1
11	05.0117	.Washer, .544 ID x .817 x .14 Yel	1
12	25.FF6801-06-06	.Fitting, 90 Elbow - 6MFF x 6MB	2
13	33.0061	.Light, Marker Red Oval	1
14	23.0183	.Valve, Boom Mower Control	1
15	20.0348	.Hose, 1/4x72.00 SAE 100R17AR	1
16	20.0348	.Hose, 1/4x72.00 SAE 100R17AR	1
17	32.0197	.Harness, Wire MA Solenoids	1

# PARTS

## ILLUSTRATED DRAWING Boom Control Valve Shields



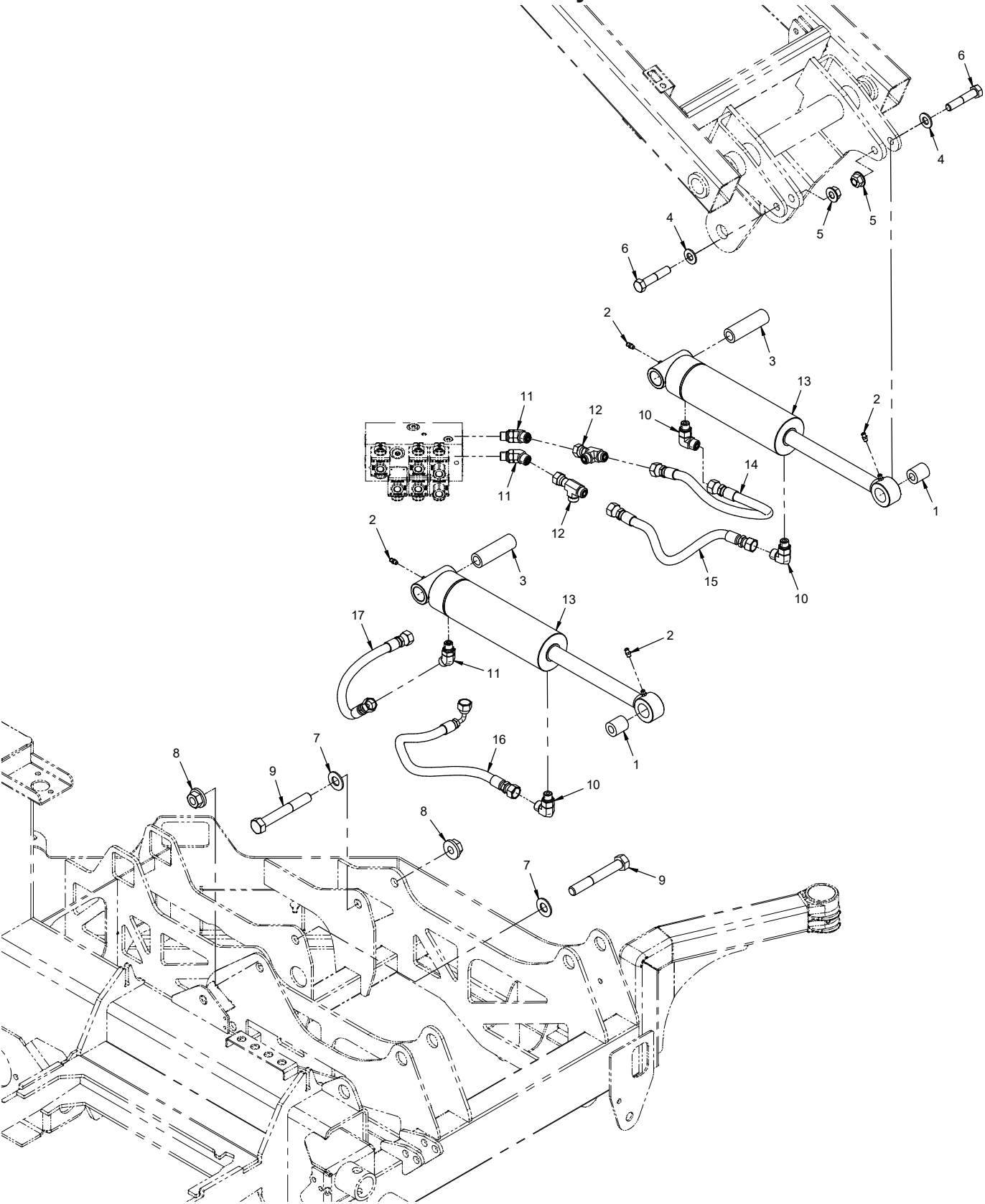
# PARTS

## Boom Control Valve Shields

REF.	PART NO.	DESCRIPTION	QTY.
1	90.0408	.Bolt, 1/4-20 USS x 1	4
2	99.E0046	.Nut, "U" 1/4-20 Extruded	4
3	95.04	.Washer, Flat 1/4 SAE	7
4	90.0406	.Bolt, 1/4-20 USS x 3/4"	3
5	99.SF04	.Nut, SRF 1/4-20 USS	3
6	MA-1525	.Cover, Valve Block Top	1
7	MA-1526	.Cover, Valve Block Bottom	1

# PARTS

## ILLUSTRATED DRAWING Main Arm Rotation Cylinders



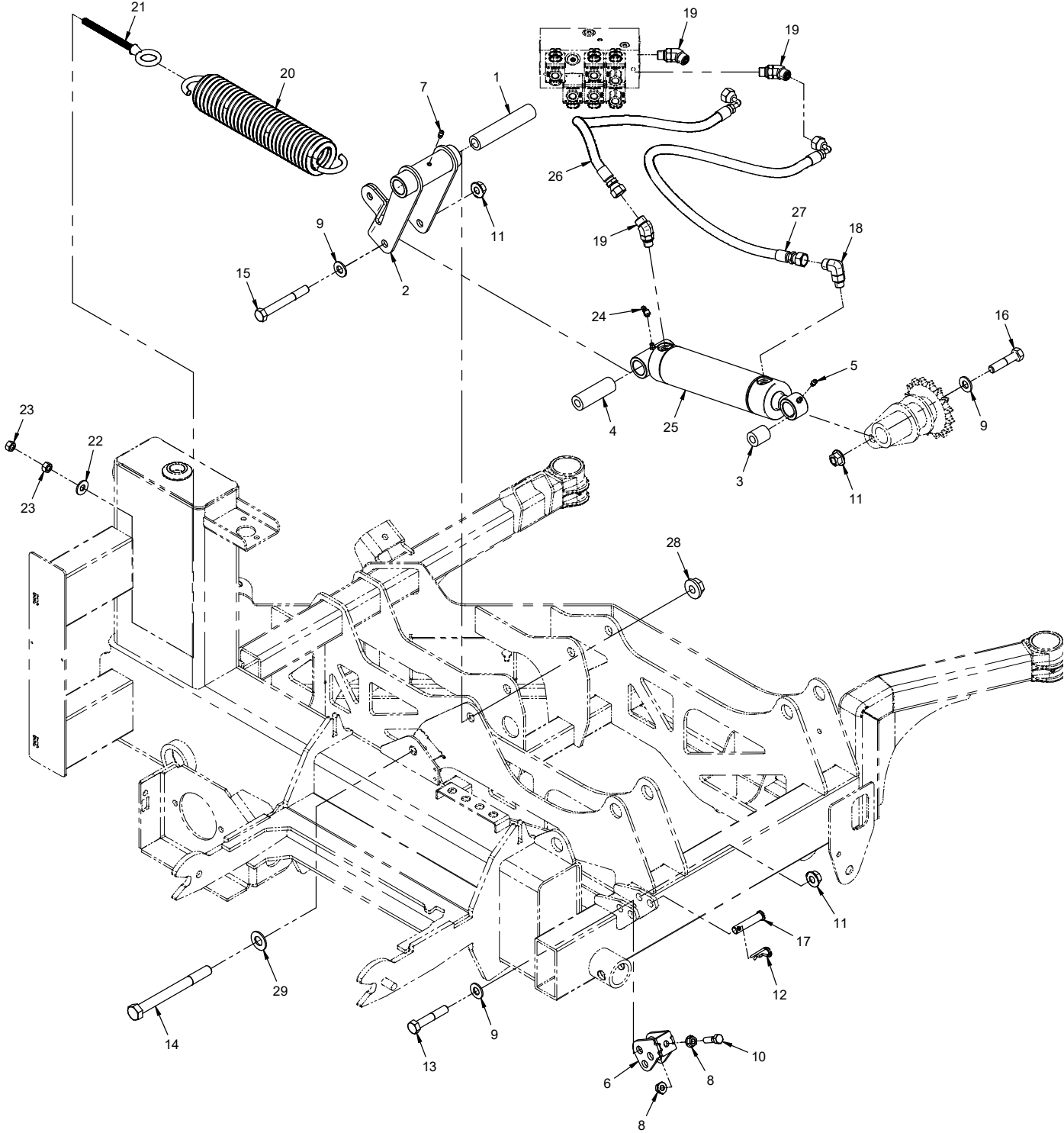
# PARTS

## Main Arm Rotation Cylinders

REF.	PART NO.	DESCRIPTION	QTY.
1	64.1712	.Bushing, Steel .516 x 1.000	2
2	29.GF0001	.Grease Ftg, 1/4 SAE ST	4
3	MA-1209	.Bushing, Main Cylinder	2
4	95.08	.Washer, Flat 1/2 SAE	2
5	99.E0103	.Nut, Locking Flange 1/2-13	2
6	90.0820	.Bolt, 1/2-13 USS x 2-1/2	2
7	95.10	.Washer, Flat 5/8 SAE	2
8	99.E0094	.Locknut, 5/8-11 Flanged Stover	2
9	90.1036	.Bolt, 5/8-11 USS x 4-1/2	2
10	25.FF6801-06-06	.Fitting, 90 Elbow - 6MFF x 6MB	3
11	25.FF6802-06-06	.Fitting, 45 Elbow - 6MFF X 6MB	3
12	25.FF6602-6-6-6	.Fitting, Tee 6MFF x 6FFS x 6MFF	2
13	23.0182	.Cylinder, 2-3/4" x 6-1/2"	2
14	20.0351	.Hose, 1/4x20.00 SAE 100R17AR	1
15	20.0352	.Hose, 1/4x15.00 SAE 100R17AR	1
16	20.0355	.Hose, 1/4x23.00 SAE 100R17AR	1
17	20.0356	.Hose, 1/ 4x14.00 SAE 100R17AR	1

# PARTS

## ILLUSTRATED DRAWING Cutter Bar Rotation Cylinder & Lockout Arm



# PARTS

## Cutter Bar Rotation Cylinder & Lockout Arm

REF.	PART NO.	DESCRIPTION	QTY.
1	MA-1289	.Bushing, Cylinder Mount Rocker	1
2	MA-6011	.Rocker, Cylinder Mount	1
3	64.1712	.Bushing, Steel .516 x 1.000	1
4	MA-1478	.Bushing, Steel .510 x 3.	1
5	29.GF0001	.Grease Ftg, 1/4 SAE ST.	1
6	MA-6018	.Arm, Lockout	1
7	29.GF0001	.Grease Ftg, 1/4 SAE ST.	1
8	99.SF06	.Nut, SRF 3/8-16 USS	2
9	95.08	.Washer, Flat 1/2 SAE	3
10	90.0610	.Bolt, 3/8-16 USS x 1-1/4	1
11	99.E0103	.Nut, Locking Flange 1/2-13	3
12	02.HP0416	.Hairpin, 1/8 X 2.	1
13	90.0822	.Bolt, 1/2-13 USS x 2-3/4	1
14	90.1052	.Bolt, 5/8-11 USS x 6-1/2	1
15	90.0832	.Bolt, 1/2-13 USS x 4.	1
16	90.0818	.Bolt, 1/2-13 USS x 2-1/4	1
17	03.0818	.Clevis Pin, 1/2 X 2-1/4 ZP	1
18	25.FF6801-06-06	.Fitting, 90 Elbow - 6MFF x 6MB	1
19	25.FF6802-06-06	.Fitting, 45 Elbow - 6MFF X 6MB	3
20	41.0120	.Spring, Ext. 2.56 OD x 13.5" Lg	1
21	99.K0164	.Bolt, Eye 3/8-16 x 4-1/2	1
22	94.06	.Washer, Flat 3/8 USS	1
23	92.06	.Nut, 3/8-16 USS	2
24	29.GF0003	.Grease Ftg, 1/4 SAE 45	1
25	23.0156	.Cylinder, 2-1/4" x 7" Lift	1
26	20.0353	.Hose, 1/4x27.00 SAE 100R17AR.	1
27	20.0354	.Hose, 1/4x37.00 SAE 100R17AR.	1
28	99.E0094	.Locknut, 5/8-11 Flanged Stover	1
29	95.10	.Washer, Flat 5/8 SAE	1