



*Operator's Manual
& Parts Drawings*

NW300

Windscreen





500 Venture Drive
Orrville Oh 44667
www.ventrac.com

View all manuals



Visit ventrac.com/manuals for the latest version of this operator's manual.

A downloadable parts manual is also available.

To the Owner Contact Information and Product Identification

If you need to contact an authorized Ventrac dealer for information on servicing your product, always provide the product model and serial numbers.

Please fill in the following information for future reference. See the picture(s) below to find the location of the identification numbers. Record them in the spaces provided.

Date of Purchase: _____

Dealer: _____

Dealer Address: _____

Dealer Phone Number: _____

Dealer Fax Number: _____

Model # (A): _____

Serial # (B): _____

Affix Part/Serial Number label here.



Venture Products Inc. reserves the right to make changes in design or specifications without obligation to make like changes on previously manufactured products.

TABLE OF CONTENTS

INTRODUCTION	PAGE 4
Product Description.....	4
Why Do I Need an Operator’s Manual?	4
Using Your Manual	5
Manual Glossary	5
SAFETY	PAGE 6
Safety Decals	6
General Safety Procedures.....	7
Training Required.....	7
Personal Protective Equipment Requirements	7
Operation Safety	7
Preventing Accidents.....	8
Keep Riders Off.....	8
Operating On Slopes.....	9
Roadway Safety	9
Truck Or Trailer Transport	9
Maintenance.....	10
Fuel Safety	10
Hydraulic Safety	11
NW300 Safety Procedures.....	12
SETUP	PAGE 13
Setup Instructions for Windscreen	13
GENERAL OPERATION	PAGE 16
Daily Inspection.....	16
Front Wiper Operation.....	16
SERVICE	PAGE 17
Cleaning and General Maintenance.....	17
Wiper Blade Replacement	17
Removing and Folding the Windscreen	17
Reinstalling the Windscreen.....	18
SPECIFICATIONS	PAGE 19
Dimensions	19
Features.....	19
PARTS	PAGE 20
Windscreen Dash Mounts.....	20
Windscreen Frames & Braces	22
Left Side Windscreen	24
Right Side Windscreen.....	26
Windshield Mount & Wiper.....	28
WARRANTY	PAGE 30

INTRODUCTION



Venture Products Inc. is pleased to provide you with your new Ventrac windscreen for your 2100 SSV! We hope that Ventrac equipment will provide you with a ONE Tractor Solution.

Product Description

The NW300 windscreen features a hardcoat lexan front windshield with a manual wiper for clearing snow from the windshield. The side windscreens are made of canvas with clear vinyl windows. The windscreen is both removable and foldable for storage or when trailering the SSV power unit.

NOTE: the NW300 windscreen is not compatible with serial numbers AA01001 - AA01040 of the NB200 brine system.

Why Do I Need an Operator's Manual?

This manual has been created to help you gain the important knowledge of what is needed to safely operate, maintain, and service your machine. It is divided into sections for convenient reference of the appropriate section.

You must read and understand the operator's manual for each piece of Ventrac equipment you own. Reading the operator's manual will help you become familiar with each specific piece of equipment. Understanding the operator's manual will help you, as well as others, avoid personal injury and/or damage to the equipment. Keep this manual with the machine at all times. The manual should remain with the machine even if it is sold. If this manual becomes damaged or unreadable, it should be replaced immediately. Contact your local Ventrac dealer for a replacement.

When using a Ventrac attachment, be sure to read and follow the safety and operating instructions of both the power unit and the attachment being used to ensure the safest operation possible.

The information in this manual provides the operator with the safest procedures to operate the machine while getting the maximum use out of the unit. Failure to follow the safety precautions listed in this manual may result in personal injury and/or damage to the equipment.

INTRODUCTION

Using Your Manual

Throughout this manual, you will encounter special messages and symbols that identify potential safety concerns to help you as well as others avoid personal injury or damage to the equipment.

SYMBOL DEFINITIONS



ATTENTION

This symbol identifies potential health and safety hazards. It marks safety precautions. Your safety and the safety of others is involved.

There are three signal words that describe the level of safety concern: Danger, Warning, and Caution. Safety should always be the #1 priority when working on or operating equipment. Accidents are more likely to occur when proper operating procedures are not followed or inexperienced operators are involved.

Note: Right-Hand and Left-Hand orientations may be referred to at different places throughout this manual. Right-Hand and Left-Hand is determined as if facing forward from the operator station.

SIGNAL WORD DEFINITIONS

⚠ DANGER

Indicates an imminently hazardous situation which, if not avoided, will result in death or serious injury. This signal word is limited to the most extreme cases.

⚠ WARNING

Indicates a potentially hazardous situation which, if not avoided, could result in death or serious injury.

⚠ CAUTION

Indicates a potentially hazardous situation which, if not avoided, may result in minor or moderate injury and/or property damage. It may also be used to alert against unsafe practices.

Manual Glossary

- Power Unit** A Ventrac tractor or other Ventrac engine powered device that may be operated by itself or with an attachment or accessory.
- Attachment** A piece of Ventrac equipment that requires a Power Unit for operation.
- Accessory** A device that attaches to a Power Unit or Attachment to extend its capabilities.
- Machine** Describes any "Attachment" or "Accessory" that is used in conjunction with a power unit.

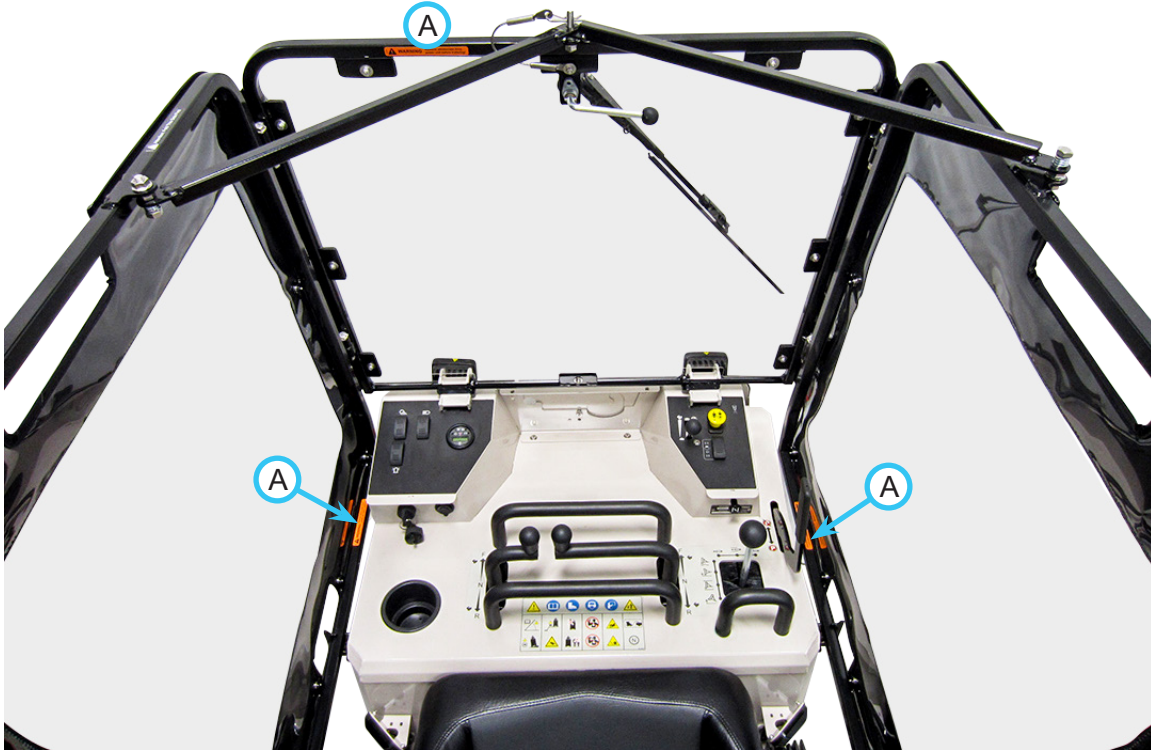
SAFETY

Safety Decals

The following safety decals must be maintained on your NW300 windscreen.

Keep all safety decals legible. Remove all grease, dirt, and debris from safety decals and instructional labels. If any decals are faded, illegible, or missing, contact your dealer promptly for replacements.

When new components are installed, be sure that current safety decals are affixed to the replacement components.



Decal	Description	Part Number	Quantity
A	Warning, Remove Before Trailering	00.0571	3

SAFETY



General Safety Procedures for Ventrac Power Units, Attachments, & Accessories



Training Required

- The owner of this machine is solely responsible for properly training the operators.
- The owner/operator is solely responsible for the operation of this machine and prevention of accidents or injuries occurring to him/herself, other people, or property.
- Do not allow operation or service by children or untrained personnel. Local regulations may restrict the age of the operator.
- Before operating this machine, read the operator's manual and understand its contents.
- If the operator of the machine cannot understand this manual, then it is the responsibility of this machine's owner to fully explain the material within this manual to the operator.
- Learn and understand the use of all controls.
- Know how to stop the power unit and all attachments quickly in the event of an emergency.



Personal Protective Equipment Requirements

It is the responsibility of the owner to be sure that the operators use the proper personal protective equipment while operating the machine. Required personal protective equipment includes, but is not limited to, the following list.



- Wear a certified ear protection device to prevent loss of hearing.
- Prevent eye injury by wearing safety glasses while operating the machine.
- Closed toe shoes must be worn at all times.
- Long pants must be worn at all times.
- When operating in dusty conditions, it is recommended that a dust mask be worn.

Operation Safety

- Inspect machine before operation. Repair or replace any damaged, worn, or missing parts. Be sure guards and shields are in proper working condition and are secured in place. Make all necessary adjustments before operating machine.
- Some pictures in this manual may show shields or covers opened or removed in order to clearly illustrate any instructions. Under no circumstance should the machine be operated without these devices in place.
- Alterations or modifications to this machine can reduce safety and could cause damage to the machine. Do not alter safety devices or operate with shields or covers removed.
- Before each use, verify that all controls function properly and inspect all safety devices. Do not operate if controls or safety devices are not in proper working condition.
- Check parking brake function before operating. Repair or adjust parking brake if necessary.
- Observe and follow all safety decals.
- All controls are to be operated from the operator's station only.
- Always wear a seat belt if the machine has a roll cage/bar installed and in upright position.
- Ensure the attachment or accessory is locked or fastened securely to the power unit before operating.
- Ensure that all bystanders are clear of the power unit and attachment before operating. Stop machine if someone enters your work area.
- Always be alert to what is happening around you, but do not lose focus on the task you are performing. Always look in the direction the machine is moving.
- Look behind and down before backing up to be sure of a clear path.
- If you hit an object, stop and inspect the machine. Make all necessary repairs before operating machine again.
- Stop operation immediately at any sign of equipment failure. An unusual noise can be a warning of equipment failure or a sign that maintenance is required. Make all necessary repairs before operating machine again.

SAFETY



General Safety Procedures for Ventrac Power Units, Attachments, & Accessories



Operation Safety (continued)

- If equipped with a high/low range feature, never shift between high and low range while on a slope. Always move the machine to level ground and engage the parking brake before shifting range.
- Do not leave machine unattended while it is running.
- Always park the machine on level ground.
- Always shut off engine when connecting attachment drive belt to the power unit.
- Never leave the operator's station without lowering the attachment to the ground, setting the parking brake, shutting off the engine, and removing the ignition key. Make sure all moving parts have come to a complete stop before dismounting.
- Never leave equipment unattended without lowering the attachment to the ground, setting the parking brake, shutting off the engine, and removing the ignition key.
- Only operate in well-lit conditions.
- Do not operate when there is a risk of lightning.
- Never direct the discharge of any attachment in the direction of people, buildings, animals, vehicles, or other objects of value.
- Never discharge material against a wall or obstruction. Material may ricochet back towards the operator.
- Use extra caution when approaching blind corners, shrubs, trees, or other objects that may obscure vision.
- Do not run the engine in a building without adequate ventilation.
- Do not touch the engine or the muffler while the engine is running or immediately after stopping the engine. These areas may be hot enough to cause a burn.
- Do not change the engine governor settings or over-speed the engine. Operating engine at excessive speed may increase the hazard of personal injury.
- To reduce the hazard of fire, keep the battery compartment, engine, and muffler areas free of grass, leaves, excessive grease, and other flammable materials.

Preventing Accidents



- Clear working area of objects that might be hit or thrown from machine.
- Keep people and pets out of working area.
- Know the work area well before operation. Do not operate where traction or stability is questionable.
- Reduce speed when you are operating over rough ground.
- Equipment can cause serious injury and/or death when improperly used. Before operating, know and understand the operation and safety of the power unit and the attachment being used.

- Do not operate machine if you are not in good physical and mental health, if you will be distracted by personal devices, or are under the influence of any substance which might impair decision, dexterity, or judgment.
- Children are attracted to machine activity. Be aware of children and do not allow them in the working area. Turn off the machine if a child enters the work area.

Keep Riders Off

- Only allow the operator on the power unit. Keep riders off.
- Never allow riders on any attachment or accessory.



SAFETY

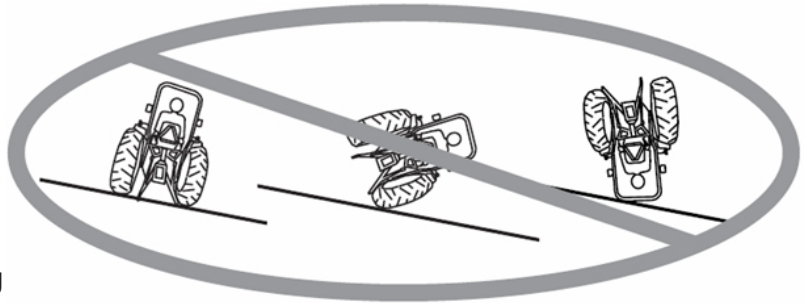


General Safety Procedures for Ventrac Power Units, Attachments, & Accessories



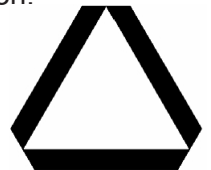
Operating On Slopes

- Slopes can cause loss-of-control and tip-over accidents, which can result in severe injury or death. Be familiar with the emergency parking brake, along with the power unit controls and their functions.
- If power unit is equipped with a fold down roll bar, it must be locked in the upright position when operating on any slope.
- Use low range (if equipped) when operating on slopes greater than 15 degrees.
- Do not stop or start suddenly when operating on slopes.
- Never shift between high and low range while on a slope. Always move the power unit to level ground and engage the parking brake before shifting range or placing the power unit in neutral.
- Variables such as wet surface and loose ground will reduce the degree of safety. Do not drive where machine could lose traction or tip over.
- Keep alert for hidden hazards in the terrain.
- Stay away from drop-offs, ditches, and embankments.
- Sharp turns should be avoided when operating on slopes.
- Pulling loads on hills decreases safety. It is the responsibility of the owner/operator to determine loads that can safely be controlled on slopes.
- Transport machine with attachment lowered or close to the ground to improve stability.
- While operating on slopes, drive in an up and down direction when possible. If turning is necessary while driving across slopes, reduce speed and turn slowly in the downhill direction.
- Assure a sufficient supply of fuel for continuous operation. A minimum of one-half tank of fuel is recommended.



Roadway Safety

- Operate with safety lights when operating on or near roadways.
- Obey all state and local laws concerning operation on roadways.
- Slow down and be careful of traffic when operating near or crossing roadways. Stop before crossing roads or sidewalks. Use care when approaching areas or objects that may obscure vision.
- If there is doubt of safety conditions, discontinue machine operation until a time when operation can be performed safely.
- When operating near or on roadways, have a Slow Moving Vehicle Emblem clearly displayed.



Truck Or Trailer Transport

- Use care when loading or unloading machine into a truck or trailer.
- Use full width ramps for loading machine into a truck or trailer.
- The parking brake is not sufficient to lock the machine during transport. Always secure the power unit and/or attachment to the transporting vehicle securely using straps, chains, cable, or ropes. Both front and rear straps should be directed down and outward from the machine.
- Shut off fuel supply to power unit during transport on truck or trailer.
- If equipped, turn the battery disconnect switch to the Off position to shut off electrical power.

SAFETY



General Safety Procedures for Ventrac Power Units, Attachments, & Accessories



Maintenance

- Keep all safety decals legible. Remove all grease dirt, and debris from safety decals and instructional labels.
- If any decals are faded, illegible, or missing, contact your dealer promptly for replacements.
- When new components are installed, be sure that current safety decals are affixed to the replacement components.
- If any component requires replacement, use only original Ventrac replacement parts.
- Always turn the battery disconnect to the Off position or disconnect the battery before performing any repairs. Disconnect the negative terminal first and the positive terminal last. Reconnect the positive terminal first and the negative terminal last.
- Keep all bolts, nuts, screws, and other fasteners properly tightened.
- Always lower the attachment to the ground, engage parking brake, shut off engine, and remove the ignition key. Make sure all moving parts have come to a complete stop before cleaning, inspection, adjusting or repairing.
- If the power unit, attachment, or accessory requires repairs or adjustments not instructed in the operator's manual, the power unit, attachment, or accessory must be taken to an authorized Ventrac dealer for service.
- Never perform maintenance on the power unit and/or attachment if someone is in the operator's station.
- Always use protective glasses when handling the battery.
- Check all fuel lines for tightness and wear on a regular basis. Tighten or repair them as needed.
- To reduce the hazard of fire, keep the battery compartment, engine, and muffler areas free of grass, leaves, and excessive grease.
- Do not touch the engine, the muffler, or other exhaust components while the engine is running or immediately after stopping the engine. These areas may be hot enough to cause a burn.
- Allow the engine to cool before storing and do not store near an open flame.
- Do not change the engine governor settings or over-speed the engine. Operating engine at excessive speed may increase the hazard of personal injury.
- Springs may contain stored energy. Use caution when disengaging or removing springs and/or spring loaded components.
- An obstruction or blockage in a drive system or moving/rotating parts may cause a buildup of stored energy. When the obstruction or blockage is removed, the drive system or moving/rotating parts may move suddenly. Do not attempt to remove an obstruction or blockage with your hands. Keep hands, feet, and clothing away from all power-driven parts.
- Dispose of all fluids in accordance with local laws.

Fuel Safety



- To avoid personal injury or property damage, use extreme care in handling gasoline. Gasoline is extremely flammable and the vapors are explosive.
- Do not refuel machine while smoking or at a location near flames or sparks.
- Always refuel the machine outdoors.
- Do not store machine or fuel container indoors where fumes or fuel can reach an open flame, spark, or pilot light.
- Only store fuel in an approved container. Keep out of reach of children.
- Never fill containers inside a vehicle or on a truck or trailer bed with a plastic liner. Always place containers on the ground away from your vehicle before filling.
- Remove machine from the truck or trailer and refuel it on the ground. If this is not possible, refuel the machine using a portable container, rather than from a fuel dispenser nozzle.
- Never remove fuel cap or add fuel with the engine running. Allow engine to cool before refueling.
- Never remove fuel cap while on a slope. Only remove when parked on a level surface.
- Replace all fuel tank and container caps securely.

SAFETY



General Safety Procedures for Ventrac Power Units, Attachments, & Accessories



Fuel Safety (continued)

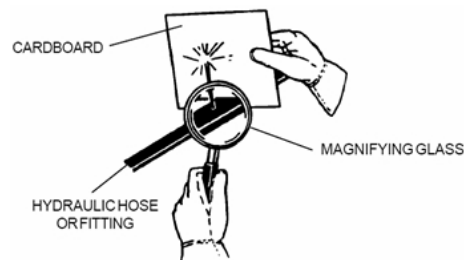
- Do not overfill fuel tank. Only fill to bottom of fuel neck, do not fill fuel neck full. Overfilling of fuel tank could result in engine flooding, fuel leakage from the tank, and/or damage to the emissions control system.
- If fuel is spilled, do not attempt to start the engine. Move the power unit away from the fuel spill and avoid creating any source of ignition until fuel vapors have dissipated.
- If the fuel tank must be drained, it should be drained outdoors into an approved container.
- Dispose of all fluids in accordance with local laws.
- Check all fuel lines for tightness and wear on a regular basis. Tighten or repair them as needed.
- The fuel system is equipped with a shut-off valve. Shut off the fuel when transporting the machine to and from the job, when parking the machine indoors, or when servicing the fuel system.

Hydraulic Safety

- Make sure all hydraulic connections are tight and all hydraulic hoses and tubes are in good condition. Repair any leaks and replace any damaged or deteriorated hoses or tubes before starting the machine.
- Hydraulic leaks can occur under high pressure. Hydraulic leaks require special care and attention.
- Use a piece of cardboard and a magnifying glass to locate suspected hydraulic leaks.



- Keep body and hands away from pinhole leaks or nozzles that eject high pressure hydraulic fluid. Hydraulic fluid escaping under high pressure can penetrate the skin causing serious injury, leading to severe complications and/or secondary infections if left untreated. If hydraulic fluid is injected into the skin, seek immediate medical attention no matter how minor the injury appears.



- Hydraulic system may contain stored energy. Before performing maintenance or repairs on the hydraulic system, remove attachments, engage parking brake, disengage weight transfer system (if equipped), shut off engine, and remove ignition key. To relieve pressure on the auxiliary hydraulic system, shut off the power unit engine and move the hydraulic control lever left and right before disconnecting the auxiliary hydraulic quick couplers.
- Dispose of all fluids in accordance with local laws.

SAFETY



NW300 Safety Procedures



- Make sure the windscreen frames are properly positioned and securely latched in the mounting brackets prior to operation.
- Never trailer the SSV power unit with the windscreen attached. The windscreen must be removed prior to trailering in order to prevent damage to the windscreen and/or damage to other vehicles.

SETUP

Setup Instructions for Windscreen

Installation Time (estimated)

1 hour



Attention

To prevent thread galling of stainless steel hardware, lubricate the bolt threads with a lithium complex NLGI #2 grease and use hand tools to tighten. Do not use air or electric power tools as this increases the potential of thread galling.

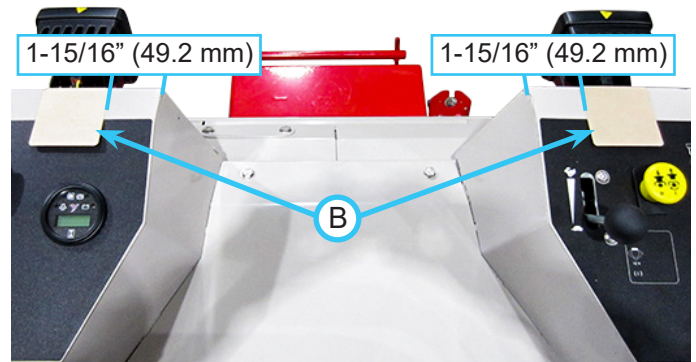
1. Park the power unit on a level surface.
2. Shut off the power unit's engine, engage the parking brake, and remove the key from the ignition.
3. Remove the front access cover from the front engine covers.
4. Open the left and right doors.
5. Remove the two bolts (A) that secure the dash frame and rear tower cover to the rear post and discard the hardware.



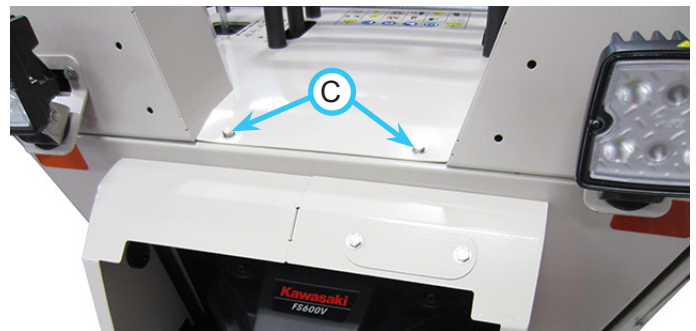
6. Install the left rear windscreen mount assembly (flange and latch are positioned toward the back of the power unit) using two 1/4 x 3/4" bolts, flat washers, and flange nuts. Do not tighten.



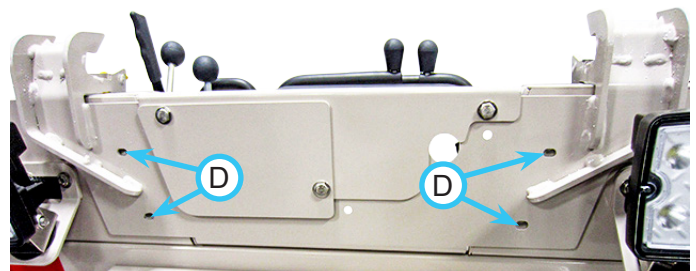
7. Adjust the rear post and door assembly until the door closes properly and aligns with the dash and front cover. Torque bolts to 67 in-lbs (8 Nm).
8. Repeat steps for installation of the right rear windscreen mount assembly.
9. Install the two clear wear resistant decals (B) onto the dash panels approximately 1-15/16" (49.2 mm) from the inner corner of the panels.



10. Remove the two bolts (C) between the upper dash panels and discard. NOTE: if power unit is equipped with a brine system or drop spreader, remove the controls from the current front dash mount and remove the front dash mount from the power unit.

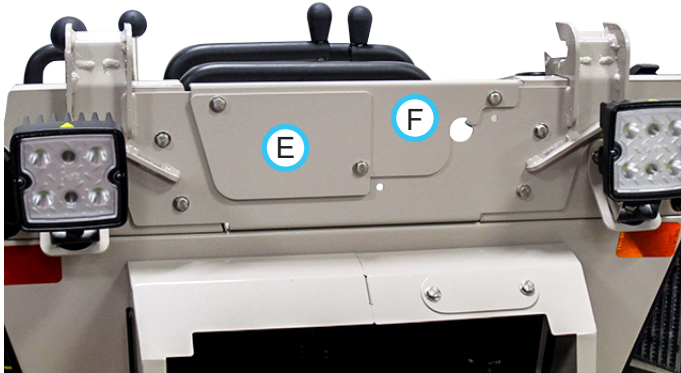


11. Power units with serial numbers 01001 - 01230 will require mounting holes to be drilled in the outer dash panels. For power units outside this range, skip to step 16.
12. Install the front dash mount between the upper dash panels on the power unit using two 1/4 x 3/4" bolts, flat washers, and flange nuts.
13. Use the front dash mount to mark the hole locations (D) in the upper dash panels.



SETUP

14. Remove the front dash mount from the power unit and drill the holes in the upper dash panels using a 9/32" (7 mm) drill bit.
15. Remove any metal shavings and use tan touch up paint on the drilled holes.
16. Install the front dash mount between the upper dash panels using six 1/4 x 3/4" bolts, flat washers, and flange nuts.
17. If power unit is equipped with a drop spreader or brine system, remove the dash cover plate (E) and the front cover plate (F) from the front dash mount.



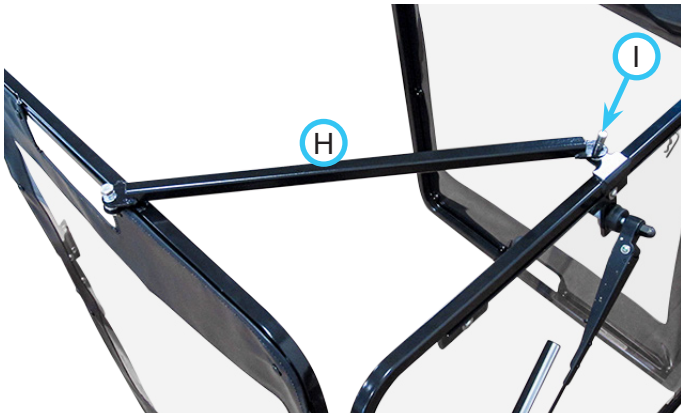
18. If the power unit is equipped with a brine system, discard the dash cover plate (E). Remove the pieces of rubber trim from the old front dash mount and front cover plate and install onto the new front dash mount and front cover plate.
19. Install the drop spreader and/or brine system controls onto the front dash mount and reinstall the front cover plate (F).

20. Close the left and right doors.
21. Reinstall the front access panel onto the front engine covers.

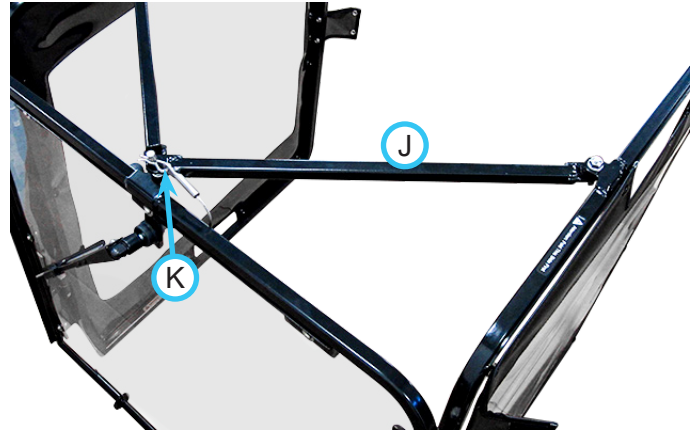


22. Remove the windscreen from the box, unsnap the retaining flap (G), and unfold the windscreen sides.

23. Lift the right crossbar (H) out of the retaining bracket and install onto the front pin (I).



24. Lift the left crossbar (J) out of the retaining bracket and install onto the front pin. Secure with the hairpin (K).



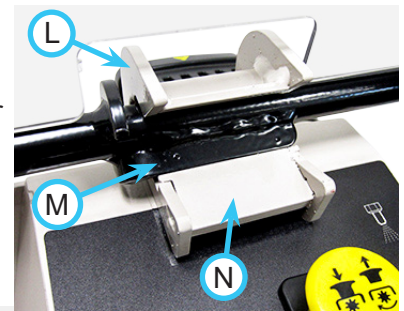
25. Fasten the right canvas retaining flap to the snaps on the right frame rear post.



26. Unfold the front of the left canvas and make sure the internal magnets hold it securely to the front frame.

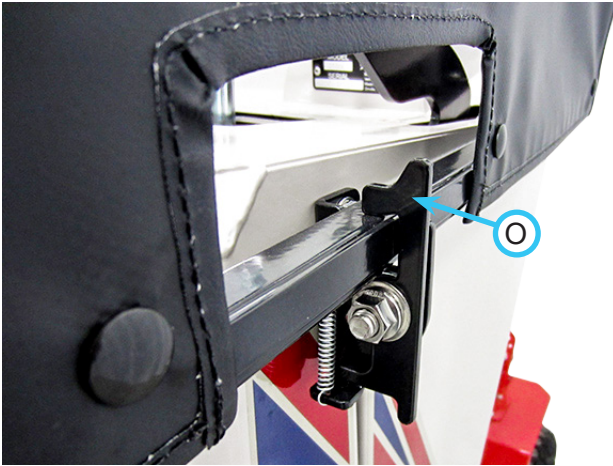
27. If installing with two people (recommended method), lift the windscreen from the sides. If installing with a single person, stand inside the windscreen, lift with the upper frame hand hold locations, and step up onto the power unit's operator platform.

28. Lift the windscreen assembly over the power unit controls. Lower the front frame bar and insert the mounting points into the brackets (L) on the front dash mount. NOTE: the rear of the windscreen assembly must be raised until the key plates (M) on the front frame bar are inserted past the lock plates (N) on the front dash mount brackets.



SETUP

29. Lower the rear of the windscreen assembly into the rear mounting brackets. Ensure the frame tubes are fully seated in the brackets and secured by the latches (O).



30. Check to ensure all snaps on the canvas sides are fastened and the front of the canvas sides are secured to the front frame sides with their internal magnets (P).



Setup is complete.

GENERAL OPERATION

Daily Inspection

⚠ WARNING

Always set the parking brake, shut off power unit engine, remove the ignition key, and ensure all moving parts have come to a complete stop before inspecting components, or attempting any repair or adjustment.

1. Park the machine on a level surface, with the engine shut off and all fluids cold.
2. Perform a visual inspection of the windshield. Ensure the windshield is properly mounted to the power unit. Look for loose or missing hardware, damaged components, or signs of wear.
3. Check the wiper blade condition. Clear any ice or snow from the wiper before use. If blade is frozen to the windshield, carefully loosen or thaw the blade.
4. Clear any ice or snow from the windshield before use. Do not operate if visibility is restricted.
5. Inspect the power unit as instructed in the daily inspection section of the power unit manual.
6. Test the power unit's operator safety interlock system*.

Front Wiper Operation

- When windshield is not in use, keep the wiper blade off the front windshield to prevent it from freezing to the windshield.
- If the front windshield is covered with snow or ice, clear the windshield before using the wiper.
- If the wiper blade is frozen to the windshield, carefully loosen or thaw the blade before attempting to use.

If the front windshield visibility is reduced by snow or slush, stop the power unit and rotate the wiper handle back and forth to clear the windshield. Move the wiper blade fully to the left or right after use.



SERVICE

⚠ WARNING

Always set the parking brake, shut off power unit engine, remove the ignition key, and ensure all moving parts have come to a complete stop before inspecting components or attempting any repair or adjustment.



Attention

If any component requires replacement, use only original Ventrac replacement parts.

Cleaning and General Maintenance

For best results, and to maintain the finish of the NW300, clean or wash the windscreen to remove dirt, snow, ice, and salt deposits.



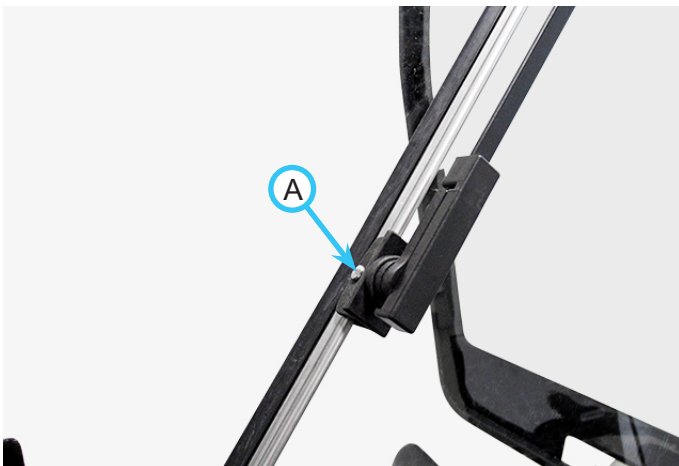
Attention

To maintain the finish of the windscreen, thoroughly wash the equipment after each use to remove any corrosive agents (e.g., salt). Failure to clean the equipment may result in corrosion of (including but not limited to) steel and aluminum. Equipment that will experience repeated exposure to corrosive agents should be pretreated with a corrosion preventative.

Wiper Blade Replacement

The wiper blade should be replaced on a yearly basis, or sooner if the blade does not clean the windshield effectively.

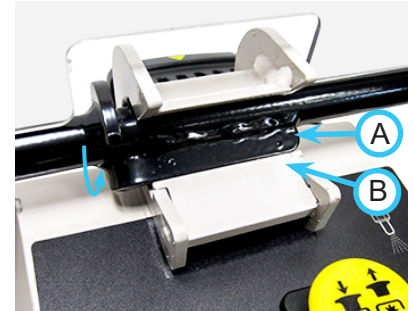
1. Remove the screw (A) and nut that fasten the wiper blade to the wiper arm.



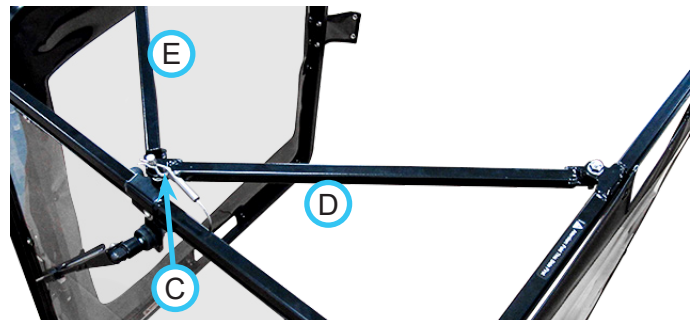
2. Install new wiper blade and reinstall the screw and nut.

Removing and Folding the Windscreen

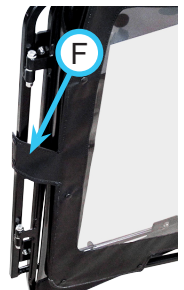
1. Park the power unit on a level surface.
2. Shut off the power unit's engine, engage the parking brake, and remove the key from the ignition.
3. Push in on the bottom of the rear latches to release the frame tubes and lift the rear of the windscreen assembly out of the rear brackets.
4. Lift up on the rear of the windscreen assembly to rotate the key plates (A) on the front frame bar up above the top edge of the lock plates (B) on the front dash mount.



5. Slide the windscreen assembly back out of the mounting points on the front dash mount.
6. Lift the windscreen assembly off the power unit and set on the ground.
7. Remove the hairpin (C) from the front pin and lift the left crossbar (D) off the pin. Rotate the crossbar to the rear of the windscreen and place in its retaining bracket.



8. Lift the right crossbar (E) off the pin, rotate to the rear of the windscreen, and place in its retaining bracket.
9. Fold the left side of the windscreen in against the front windshield.
10. Unsnap the retaining flap on the right canvas from the rear post on the right frame.
11. Fold the right side of the windscreen in against the left side of the windscreen.
12. Fold back the front of the left canvas to expose the snaps on the left side of the front frame tube. Snap the retaining flap (F) onto these snaps to secure the windscreen in the folded position.

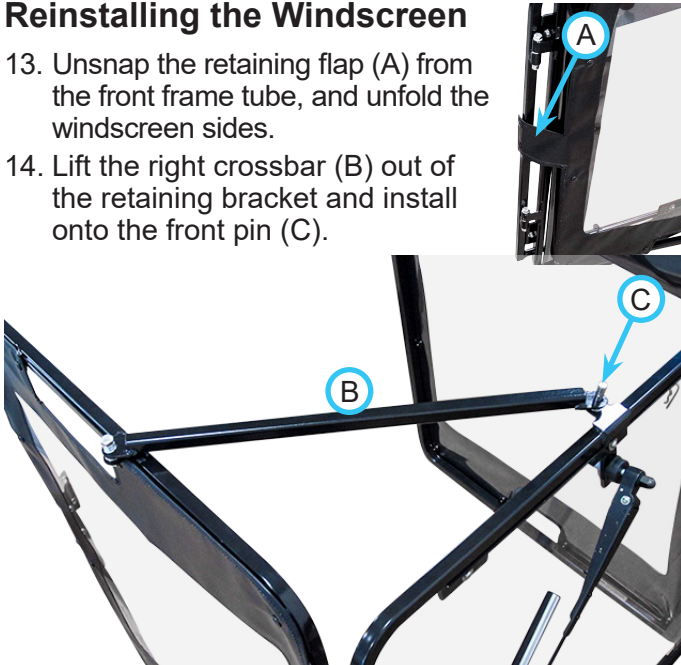


SERVICE

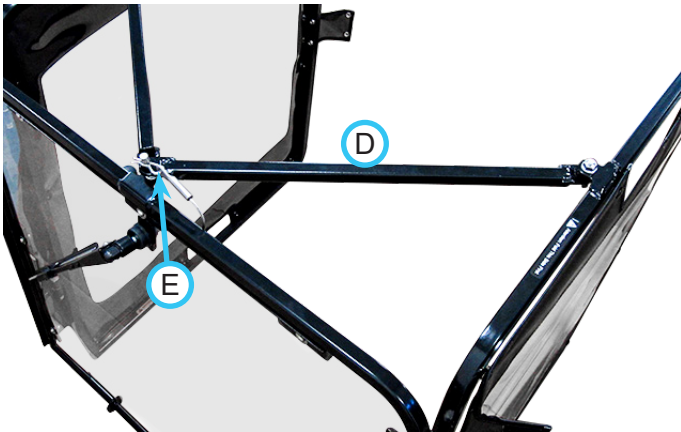
Reinstalling the Windscreen

13. Unsnap the retaining flap (A) from the front frame tube, and unfold the windscreen sides.

14. Lift the right crossbar (B) out of the retaining bracket and install onto the front pin (C).



15. Lift the left crossbar (D) out of the retaining bracket and install onto the front pin. Secure with the hairpin (E).



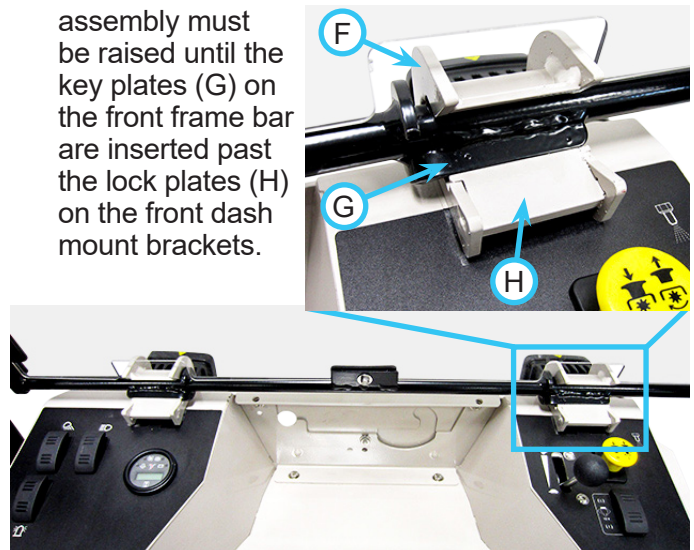
16. Fasten the right canvas retaining flap to the snaps on the right frame rear post.

17. Unfold the front of the left canvas and make sure the internal magnets hold it securely to the front frame.

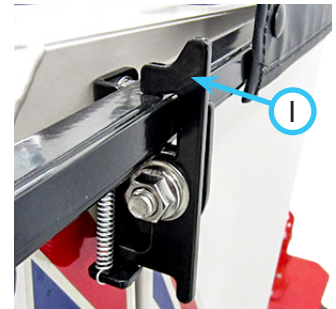


18. If installing with two people (recommended method), lift the windscreen from the sides. If installing with a single person, stand inside the windscreen, lift with the upper frame hand hold locations, and step up onto the power unit's operator platform.

19. Lift the windscreen assembly over the power unit controls. Lower the front frame bar and insert the mounting points into the brackets (F) on the front dash mount. NOTE: the rear of the windscreen assembly must be raised until the key plates (G) on the front frame bar are inserted past the lock plates (H) on the front dash mount brackets.



20. Lower the rear of the windscreen assembly into the rear mounting brackets. Ensure the frame tubes are fully seated in the brackets and secured by the latches (I).



21. Check to ensure all snaps on the canvas sides are fastened and the front of the canvas sides are secured to the front frame sides with their internal magnets (J).



Installation is complete.

SPECIFICATIONS

Dimensions

Overall Height	41 inches (104 cm)
Height (installed on power unit)	84 inches (213 cm)
Overall Length	39-3/4 inches (101 cm)
Overall Width	36 inches (91 cm)
Overall Weight (with mounting brackets)	50 pounds (22.7 kg)
Weight of Windscreen Assembly	42 pounds (19.1 kg)

Features

- Sturdy tubular frame
- Lexan front windshield with abrasion resistant hard coat
- Canvas side panels with clear vinyl windows
- Manual windshield wiper
- Easily removed and folded for storage or transport

Visit ventrac.com/manuals for the latest version of this operator's manual.

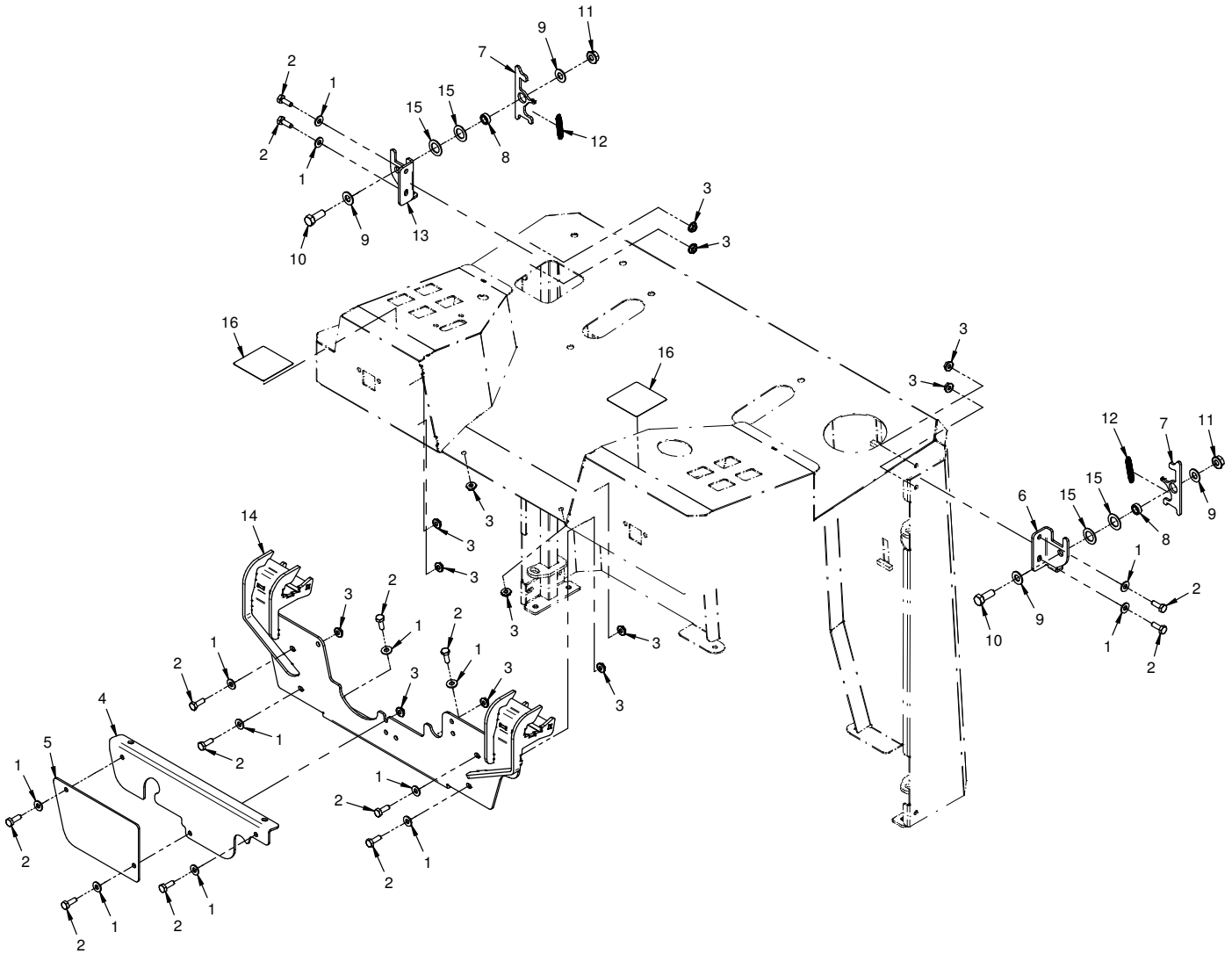
A downloadable parts manual is also available.

[View all manuals](#)



PARTS

ILLUSTRATED DRAWING Windscreen Dash Mounts



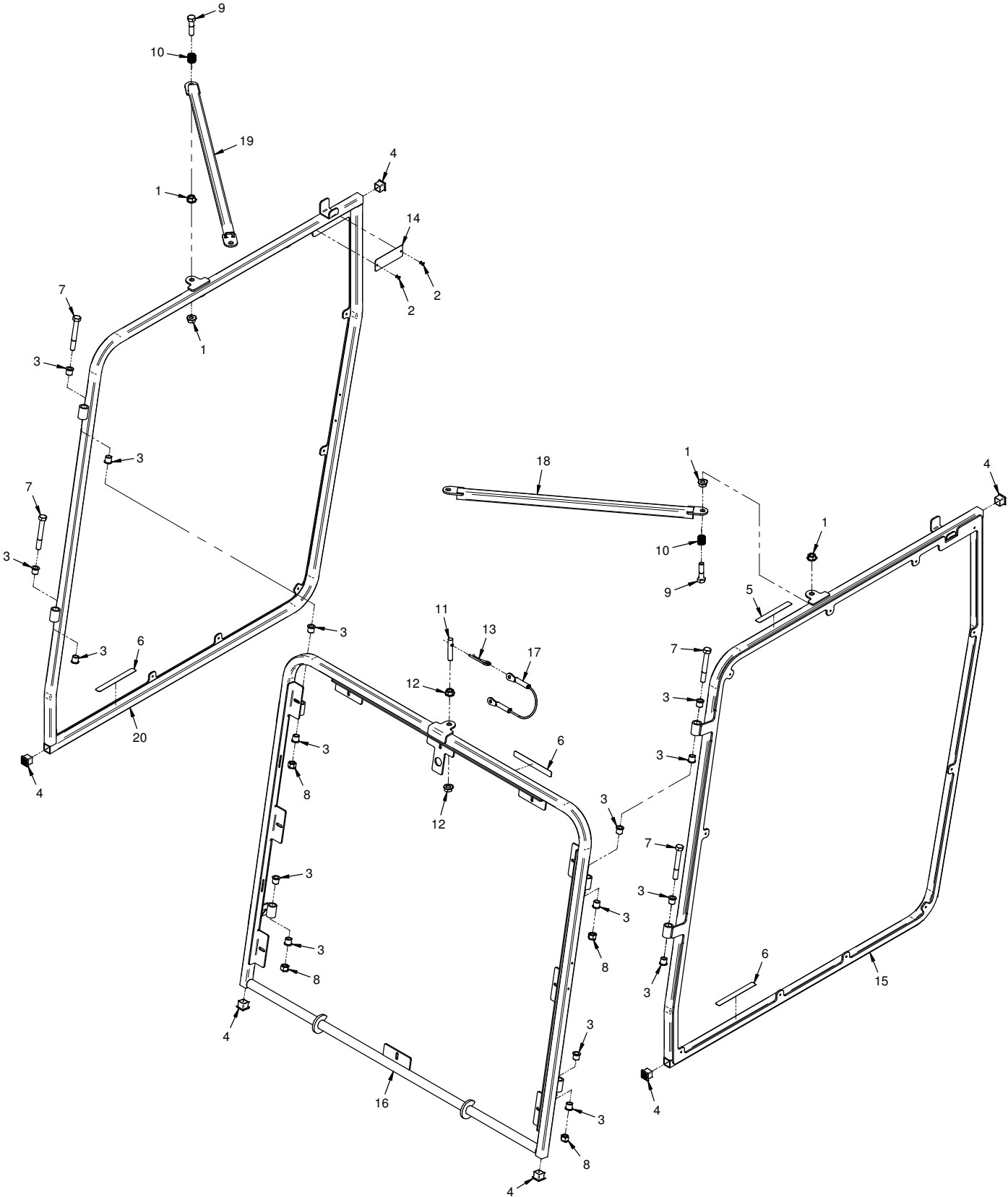
PARTS

Windscreen Dash Mounts

REF.	PART NO.	DESCRIPTION	QTY.
1	95.04-3	.Washer, Flat 1/4 SAE SS	13
2	90.0406-3	.Bolt, 1/4-20 USS x 3/4 SS	13
3	99.SF04-3	.Nut, SRF 1/4-20 USS Stainless	13
4	NT-1556	.Plate, Dash Front Cover	1
5	NT-1947	.Plate, Dash Cover	1
6	NT-1973	.Bracket, Windscreen Mount Left Rear	1
7	NT-1758	.Latch, Windscreen Rear Mount	2
8	64.0602	.Bushing, 3/8 x 5/8 x .265	2
9	95.06-3	.Washer, Flat 3/8 SAE SS	4
10	90.0608-3	.Bolt, 3/8-16 USS x 1 SS	2
11	99.SF06-3	.Nut, SRF 3/8-16 USS Stainless	2
12	41.0132	.Spring, Ext .262" OD x 1.030 L.	2
13	NT-1941	.Bracket, Windscreen Mount Right Rear	1
14	NT-6782	.Mount, Front Dash Windscreen	1
15	99.B0055	.Washer, Mach 5/8 x 1 x 18Ga	4
16	00.0609	.Decal, Wear Resistant	2

PARTS

ILLUSTRATED DRAWING Windscreen Frames & Braces



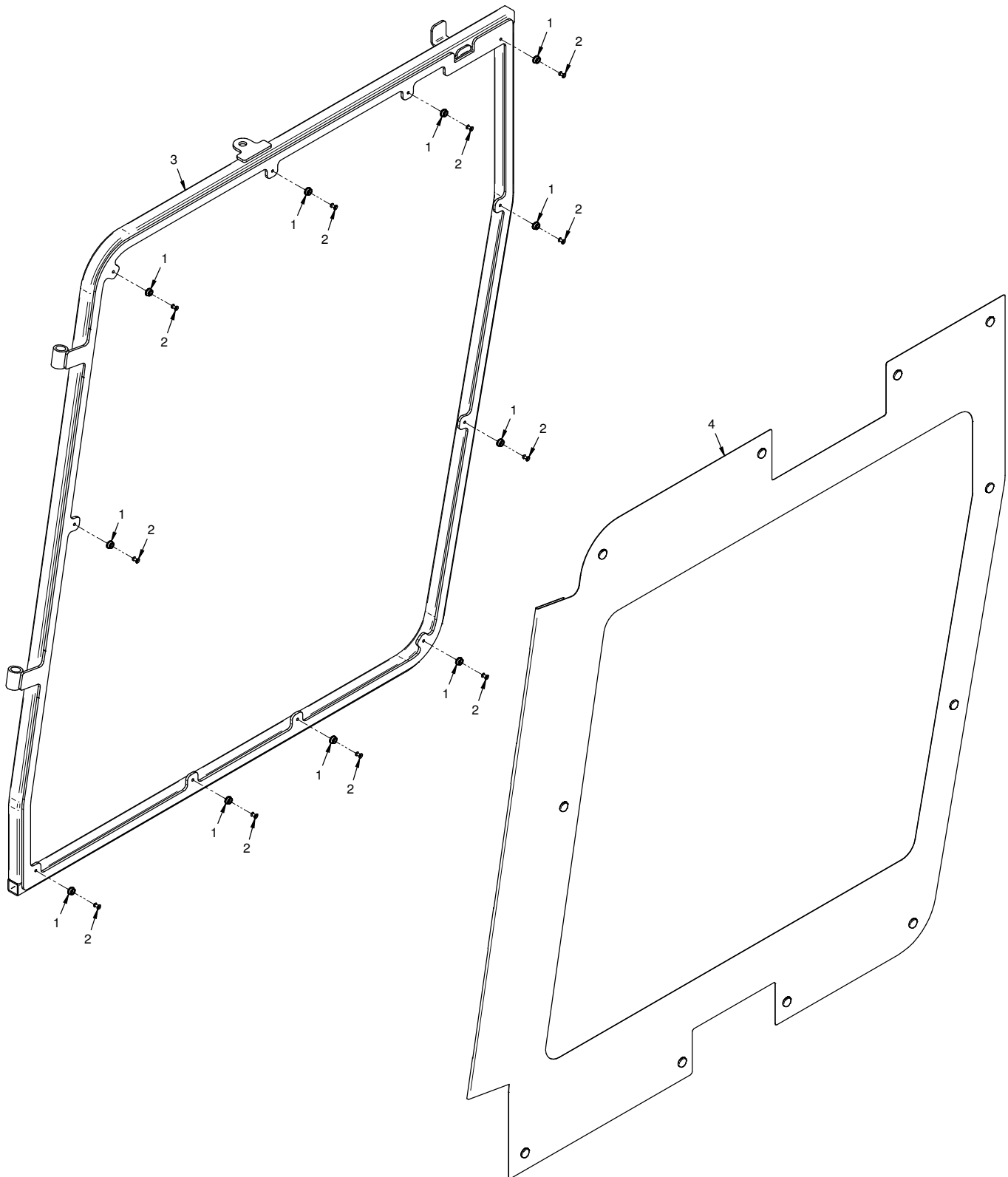
PARTS

Windscreen Frames & Braces

REF.	PART NO.	DESCRIPTION	QTY.
1	99.SF06-3	Nut, SRF 3/8-16 USS Stainless	4
2	04.0029	Rivet, Pop 1/8" X 1/4" SS	2
3	85.B0068	Bushing, 3/8 X 1/2 OD X 1/2 LG.	16
4	05.0188	Plug, Square 3/4 OD x 1/2	6
5	00.0572	Decal, Fold This Side First	1
6	00.0571	Decal, Remove Before Trailering	3
7	90.0622-3	Bolt, 3/8-16 USS x 2-3/4 SS	4
8	99.A06N	Locknut, Nylon 3/8-16	4
9	90.0612-3	Bolt, 3/8-16 USS x 1-1/2 SS	2
10	41.0039	Spring, Comp. 9/16 OD X 5/8	2
11	99.F0047	Pin, 3/8-24 x 2" SS W/ Hair Pin	1
12	99.SF06-4NF	Nut, SRF 3/8-24 SS	2
13	02.HP0416-4	Hairpin, 1/8 x 2 SS	1
14	N/A	Plate, Ventrac Serial Number	1
15	NT-6140	Frame, Left Side Windscreen	1
16	NT-6777	Frame, Front Windshield	1
17	45.0060	Cable, 1/8 x 8" SS Eyelet Ends	1
18	NT-6774	Cross Brace, Lower	1
19	NT-6783	Cross Brace, Upper	1
20	NT-6141	Frame, Right Side Windscreen	1

PARTS

ILLUSTRATED DRAWING Left Side Windscreen



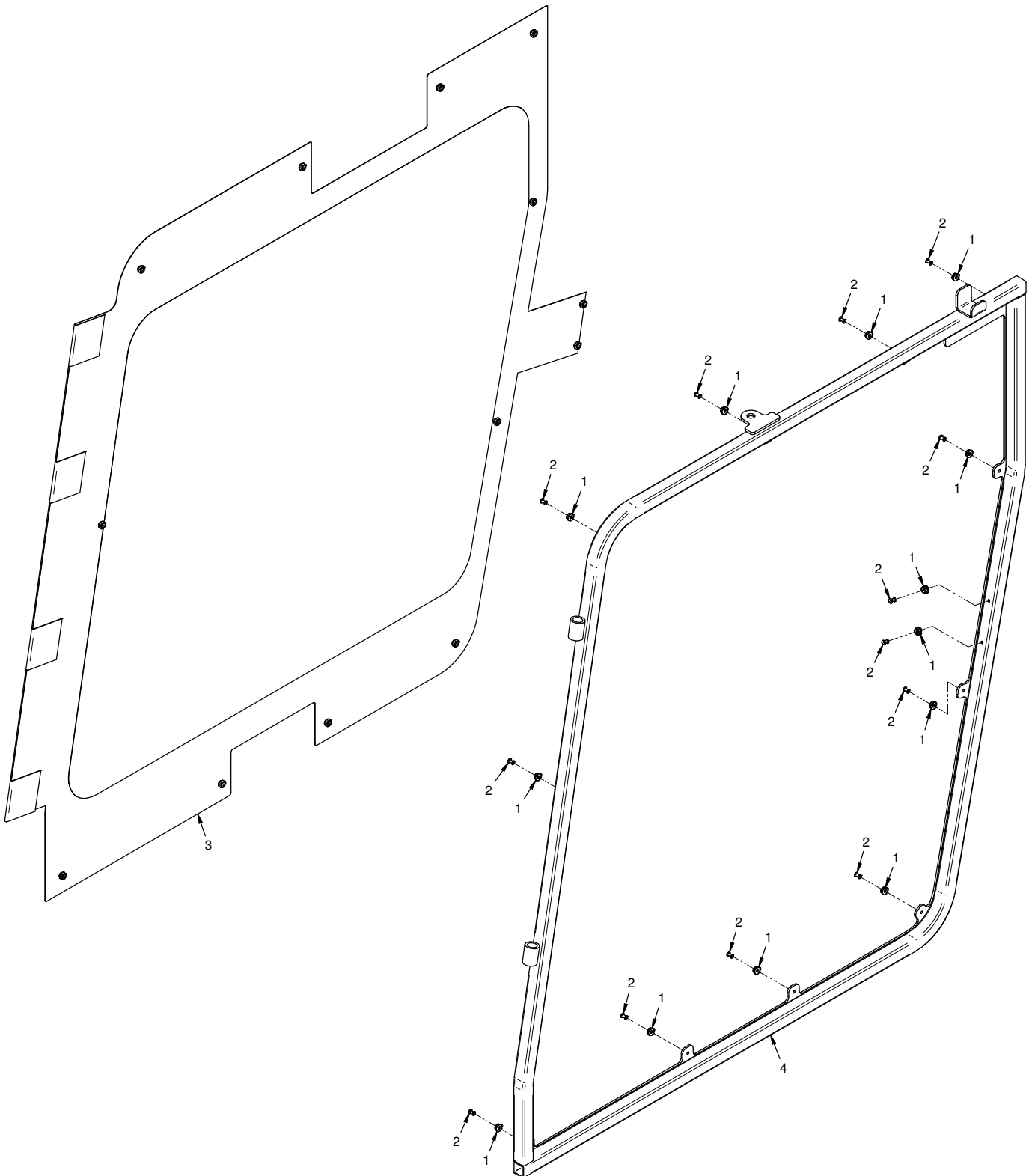
PARTS

Left Side Windscreen

REF.	PART NO.	DESCRIPTION	QTY.
1	04.0020	Snap, Stud 3/8 X 9/16 Ss	11
2	04.0029	Rivet, Pop 1/8" X 1/4" SS	11
3	NT-6140	Frame, Left Side Windscreen	1
4	NT-3015	Panel, Windscreen Left	1

PARTS

ILLUSTRATED DRAWING Right Side Windscreen



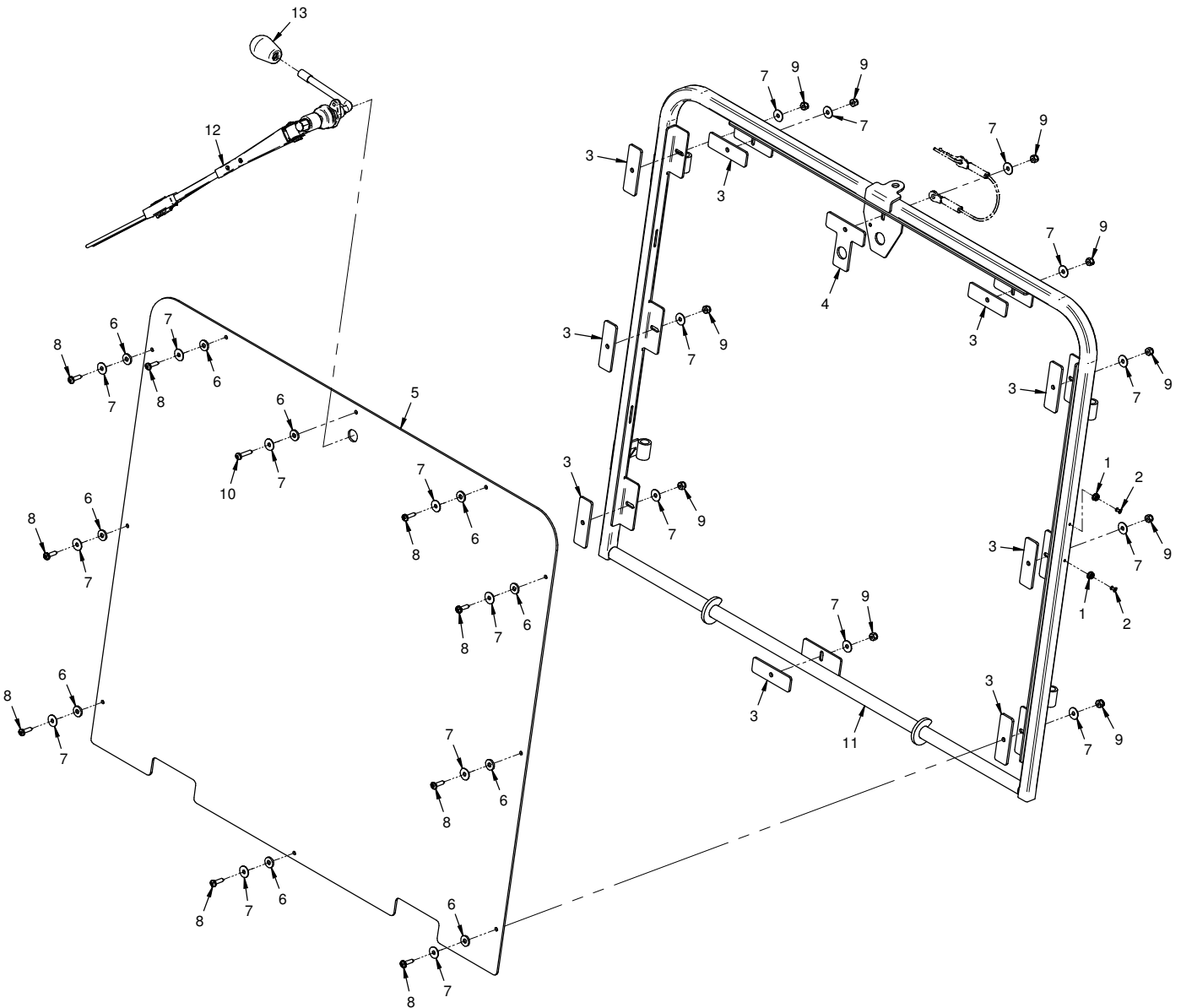
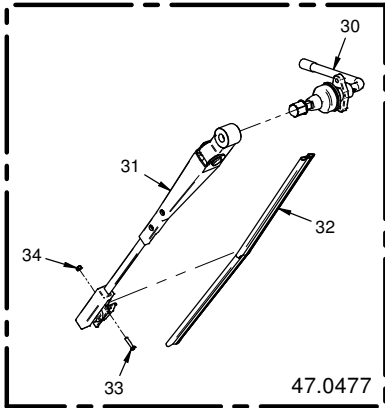
PARTS

Right Side Windscreen

REF.	PART NO.	DESCRIPTION	QTY.
1	04.0020	.Snap, Stud 3/8 X 9/16 Ss	13
2	04.0029	.Rivet, Pop 1/8" X 1/4" SS	13
3	NT-3016	.Panel, Windscreen Right	1
4	NT-6141	.Frame, Right Side Windscreen.	1

PARTS

ILLUSTRATED DRAWING Windshield Mount & Wiper



PARTS

Windshield Mount & Wiper

REF.	PART NO.	DESCRIPTION	QTY.
1	04.0020	.Snap, Stud 3/8 X 9/16 Ss	2
2	04.0029	.Rivet, Pop 1/8" X 1/4" SS	2
3	44.0403	.Gasket, Windshield Mount	9
4	44.0413	.Gasket, Wiper Blade Mount	1
5	44.0402	.Windshield, Front	1
6	05.0126	.Washer, Neoprene 1/4 X 5/8	10
7	99.B0139	.Washer, Fender #10 x 11/16 SS	20
8	99.K0163	.Machine Screw, #10-32 x 3/4 SS	9
9	99.A1032N	.Locknut, Nylon 10-32 Stainless	10
10	99.K0139	.Machine Screw, #10-32 X 1 SS	1
11	NT-6777	.Frame, Front Windshield	1
12	47.0477	.Wiper Asm, Windshield	1
13	47.0001	.Knob, Sm. #80 3/8-16 Thread	1
30	47.0480	.Handle Asm, Manual Wiper	1
31	47.0478	.Arm, Wiper 15"	1
32	47.0479	.Wiper Blade, Windshield 16"	1
33	99.M0069	.Bolt, M6 x 1.0 x 30mm SS	1
34	99.M0070	.Locknut, Nylon M6 x 1.0 SS	1

WARRANTY



LIMITED WARRANTY - VENTRAC COMMERCIAL EQUIPMENT

Venture Products, Inc., (henceforth referred to as V.P.I.) warrants on the terms and conditions herein, that it will repair, replace, or adjust any part manufactured by Venture Products Inc., and found by Venture Products, Inc., to be defective in material and/or workmanship during the applicable warranty term.

All Ventrac commercial equipment purchased and registered on or after January 1, 2019 will carry a 2-year commercial warranty. The warranty period begins on the date of original customer purchase:

Ventrac Commercial Equipment	Warranty Term
2100 SSV & Attachments	2-year
3000 Series Tractors & Attachments	2-year
4000 Series Tractors & Attachments	2-year

All Ventrac add-on kits and accessories such as: 3-point hitch, 12V front & rear power outlets, foot pedal, dual wheel kit, etc., will be covered under the above warranty periods provided they are installed by an Authorized Ventrac Dealer. This warranty may be transferred and will carry the remainder of the warranty starting from the original purchase/registration date with the dealership and/or V.P.I.

The engine warranty is covered by its respective engine manufacturer. Please refer to the engine manufacturer's warranty statement that is included in the owner's manual.

For warranty consideration on Ventrac commercial equipment, including any defective part, must be returned to an Authorized Ventrac Dealer within the warranty period. The warranty shall extend to the cost to repair or replace (as determined by V.P.I.) the defective part. The expense of pickup and delivery of equipment, service call drive time or any transportation expense incurred for warranty repair is the sole responsibility of the owner and is not covered under warranty by Ventrac and/or V.P.I. Ventrac and V.P.I.'s responsibility in respect to claims is limited to making the required repairs or replacements, and no claim of breach of warranty shall be cause for cancellation or rescission of the contract of sale of any Ventrac equipment. Proof of purchase may be required by the dealer to substantiate any warranty claim. Only warranty work performed and submitted by an Authorized Ventrac Dealer may be eligible for warranty credit.

This warranty extends only to Ventrac commercial equipment operated under normal conditions and properly serviced and maintained. The warranty expressly does NOT cover: (a) any defects, damage or deterioration due to normal use, wear and tear, or exposure; (b) normal maintenance services, such as cleaning, lubrication, oil change; (c) replacement of service items, such as oil, lubricants, spark plugs, belts, rubber hoses, bearings or other items subject to normal service replacement; (d) damage or defects arising out of, or relating to abuse, misuse, neglect, alteration, negligence or accident; (e) repair or replacement arising from operation of, or use of the equipment which is not in accordance with operating instructions as specified in the operator's manual or other operational instructions provided by V.P.I.; (f) repair or replacement arising as a result of any operation from Ventrac equipment that has been altered or modified so as to, in the determination of V.P.I., adversely affect the operation, performance or durability of the equipment or that has altered, modified or affected the equipment so as to change the intended use of the product; (g) repair or replacement necessitated by the use of parts, accessories or supplies, including gasoline, oil or lubricants, incompatible with the equipment or other than as recommended in the operator's manual or other operational instructions provided by V.P.I.; (h) repairs or replacements resulting from parts or accessories which have adversely affected the operation, performance or durability of the equipment; or (i) damage or defects due to or arising out of repair of Ventrac equipment by person or persons other than an authorized Ventrac service dealer or the installation of parts other than genuine Ventrac parts or Ventrac recommended parts.

WARRANTY



LIMITED WARRANTY - VENTRAC COMMERCIAL EQUIPMENT

The sole liability of V.P.I. with respect to this warranty shall be the repair and replacement as set forth herein. V.P.I. shall have no liability for any other cost, loss, or damage. In particular V.P.I. shall have no liability or responsibility for: (i) expenses relating to gasoline, oil, lubricants; (ii) loss, cost or expense relating to transportation or delivery of turf equipment from the location of owner or location where used by owner to or from any Authorized Ventrac Dealer; (iii) travel time, overtime, after hours' time or other extraordinary repair charges or charge relating to repairs or replacements outside of normal business hours at the place of business of an Authorized Ventrac Dealer; (iv) rental of like or similar replacement equipment during the period of any warranty repair or replacement work; (v) any telephone or telegram charges; (vi) loss or damage to person or property other than that covered by the terms of this warranty; (vii) any claims for lost revenue, lost profit or additional cost or expense incurred as a result of a claim of breach of warranty; or (viii) attorney's fees.

The remedies of buyer set forth herein are exclusive and are in lieu of all other remedies. The liability of V.P.I., whether in contract, tort, under any warranty, or otherwise, shall not extend beyond its obligation as set forth herein. V.P.I. shall not be liable for cost of removal or installation nor shall V.P.I. be responsible for any direct, indirect, special or consequential damages of any nature. In no event shall V.P.I. be liable for any sum in excess of the price received for the goods for which liability is claimed.

There are no representations or warranties which have been authorized to the buyer of the Ventrac commercial equipment other than set forth in this warranty. Any and all statements or representations made by any seller of this equipment, including those set forth in any sales literature or made orally by any sales representative, are superseded by the terms of this warranty. Any affirmation of fact or promise made by V.P.I. or any of its representatives to the buyer which relates to the goods that are the subject to this warranty shall not be regarded as part of the basis of the bargain and shall not be deemed to create any express warranty that such goods shall conform to the affirmation or promise.

No employee, distributor, or representative is authorized to change the foregoing warranties in any way or grant any other warranty on behalf of V.P.I.

Some states do not allow limitations on how long an implied warranty lasts or allow the exclusion on limitation of incidental or consequential damages, so the above limitation or exclusion may not apply to you.

This warranty gives you specific legal rights, and you may also have other rights which vary from state to state.

This warranty applies to all Ventrac commercial equipment sold by Venture Products Inc.